

5th AXIS[®]

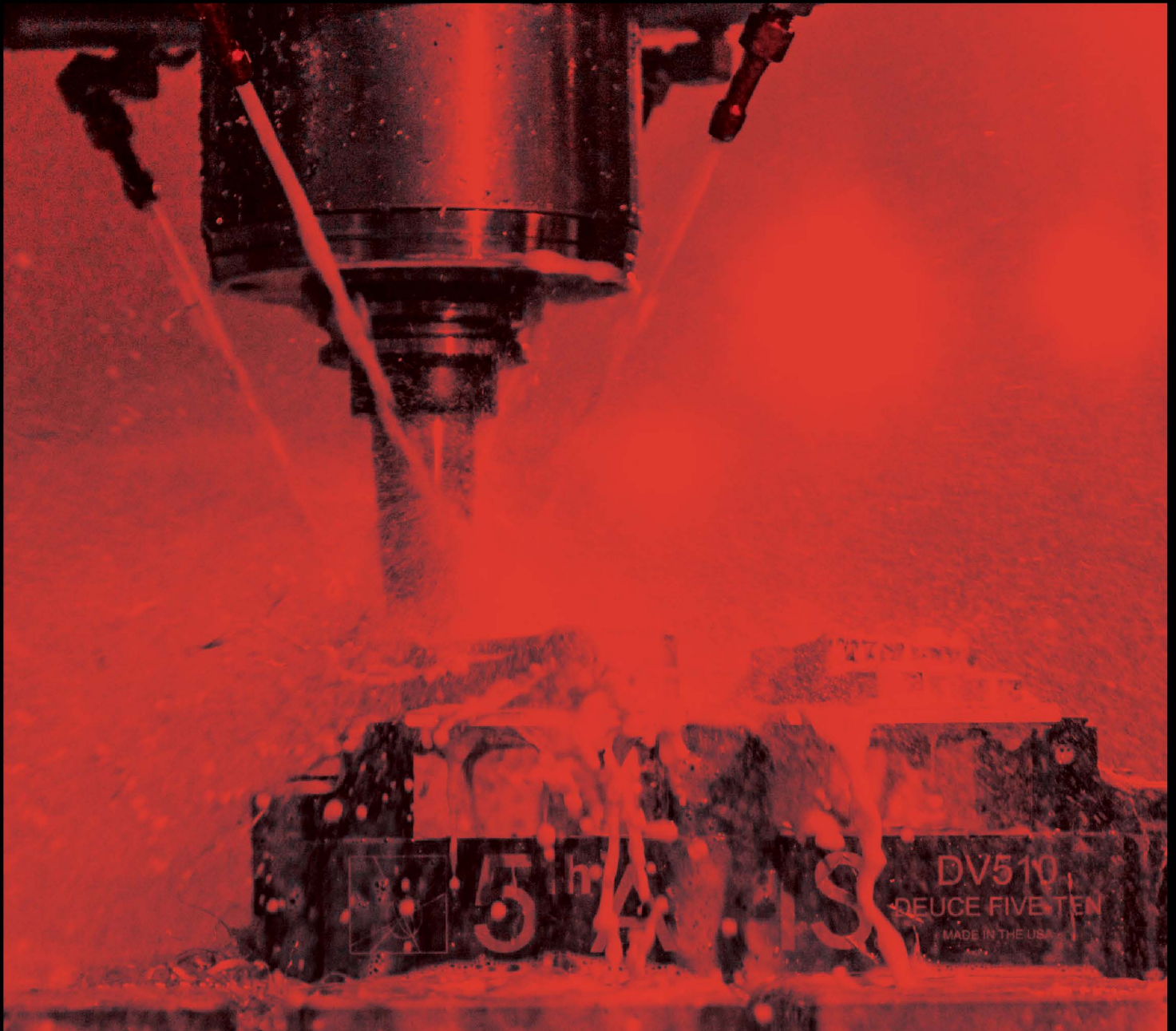
Workholding Evolved.

K KEMMLER[®]
Präzisionswerkzeuge

VOLUME

5

VICES - FIXTURES - QUICK CHANGE SYSTEMS



52mm RockLock

Maximum efficiency
with 52mm

ROCKLOCK™ QUICK CHANGE SYSTEM



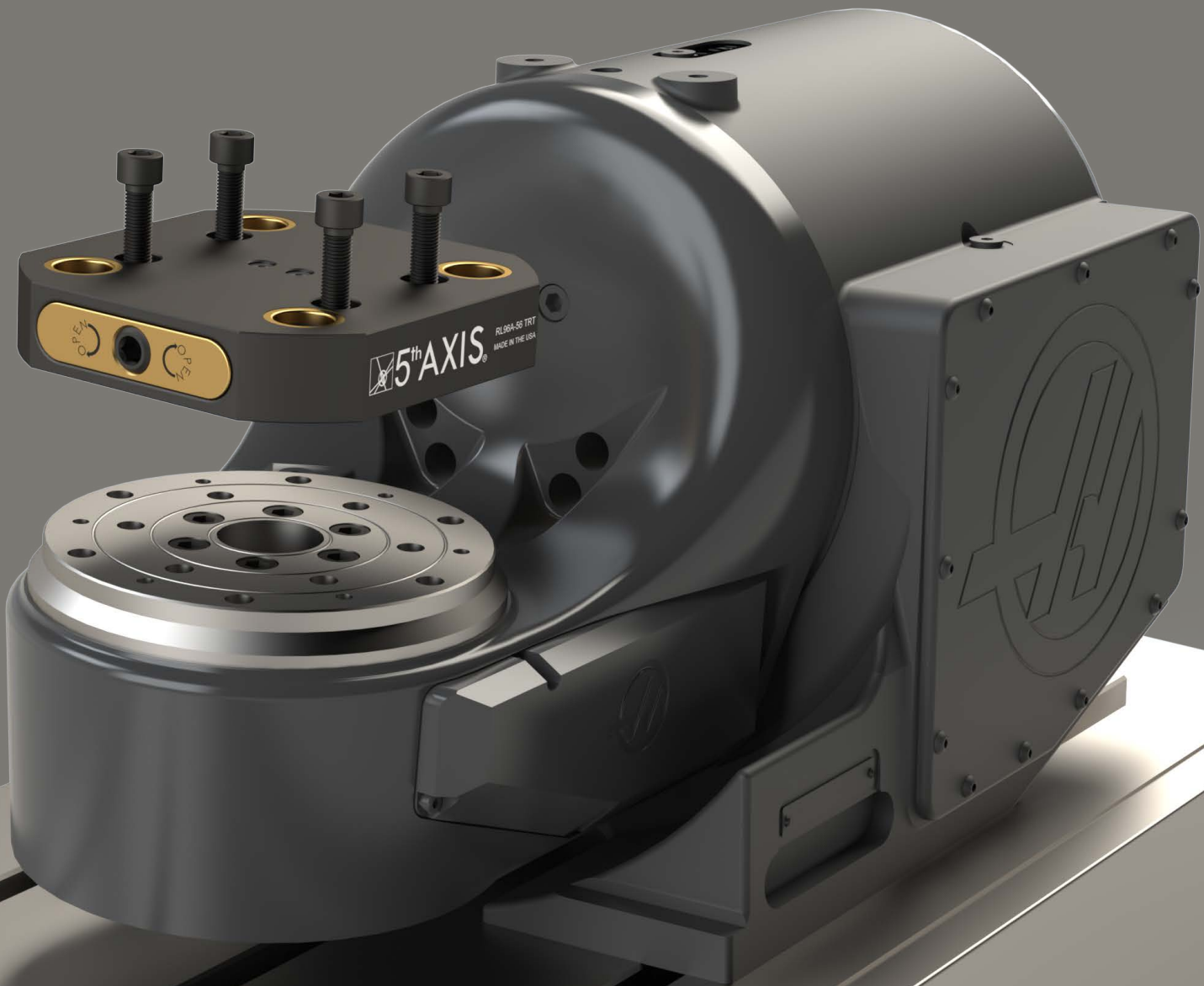
Reduce Setup and
Changeover Time



Simple Modular
Design

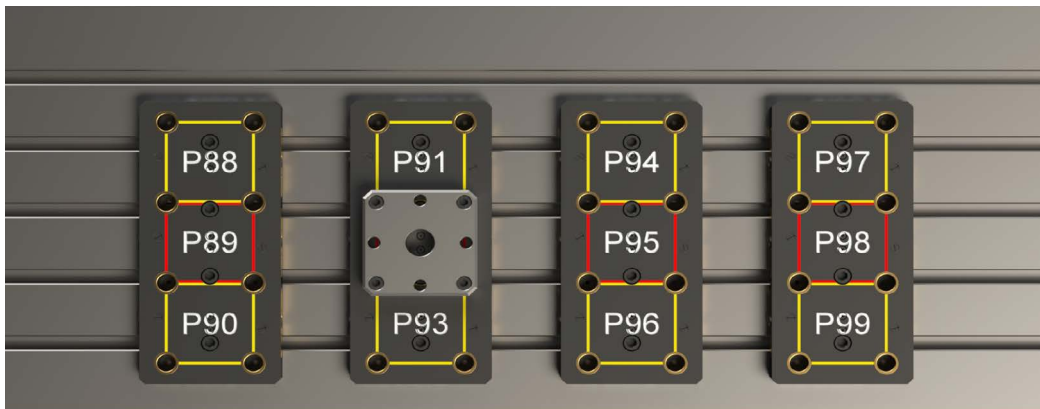


Solutions Available
for 3, 4, & 5 Axis
Machines






READY TO ROCK SETUP

Example shown for Haas VF-2/VF-3 [GI54 Work Coordinates]



1. Starting with an empty machine table, install 5th Axis 3613S plates for your specific table. Thread bolts into t-nuts, but do not torque bolts.
2. Space plates 3" (76.2mm) apart from each other. Use a mallet to initially align and straighten plates.
3. Install master pallet (RL96-MP) in center position (P89, P92, P95, P98) to indicate straight. Once aligned and indicated straight, torque mounting bolts to torque specifications.
4. For every position, install master pallet and set X and Y axes with touch probe or indicator for each work offset position.
5. Set Z zero on the top mounting surface of the RockLock 3613S base for all work offsets.
6. R2R system is ready to use.

Double Station Vises

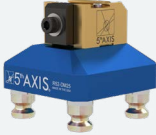


Part Number	DV75150X-J1	DV75150X-J2	DV75150X-J3
			
Fixture Size	75mm x 150mm x 56mm	75mm x 150mm x 64mm	75mm x 150mm x 64mm
Jaw Width	75mm	75mm	75mm
Jaw Set	Hardened Steel 3 Piece Master Jaw Set Serrated Dovetail	6061 Aluminum Machinable Jaw Set	1018 Steel Machinable Jaw Set
Vise Type	Double Station	Double Station	Double Station
Compatible Pull Studs	4x PS16F (Sold separately)	4x PS16F (Sold separately)	4x PS16F (Sold separately)
Additional Vise Specs	See Page 47	See Page 47	See Page 47

Self-Centering Visas and Round Bar Fixture

Part Number	V75100X	V75150X	R52-CERX-32	R52-CERX-40
				
Size	75mm x 100mm x 56mm	75mm x 150mm x 56mm	75mm x 75mm x 68mm	75mm x 75mm x 68mm
Jaw Width	75mm	75mm	Utilizes Standard ER32 Collet Nut	Utilizes Standard ER40 Collet Nut
Fixture	V75100X	V75150X	CER32	CER40
Overall Clamping Range	0 - 76.3mm	0 - 128.8mm	Accepts Only ER32 Size Collet	Accepts Only ER40 Size Collet
Vise Type	Self-Centering	Self-Centering	Round Bar Fixture	Round Bar Fixture
Compatible Pull Studs	4x PS16F (Sold separately)	4x PS16F (Sold separately)	4x PS16F (Included)	4x PS16F (Included)
Additional Vise Specs	See Page 53	See Page 53	See Page 66	See Page 66

Metric Dovetail Fixtures

Part Number	R52-DM12	R52-2DM12	R52-P12DM12
			
Size	75mm x 75mm x 51mm	75mm x 75mm x 51mm	126mm x 126mm x 134mm
Fixture	DM12	2x DM12	12x DM12
Stock	12mm and Above	12mm and Above	12mm and Above
Compatible Pull Studs	4x PS16F (Included)	4x PS16F (Included)	4x PS16F (Included)
Additional Fixture Specs	See Page 61	See Page 61	See Page 64

Part Number	R52-DM25	R52-P4DM25	R52-DM50
			
Size	75mm x 75mm x 55mm	Ø152mm x 65mm	75mm x 75mm x 63mm
Fixture	DM25	4x DM25	DM50
Stock	25mm and Above	25mm and Above	50mm and Above
Compatible Pull Studs	4x PS16F (Included)	4x PS16F (Included)	4x PS16F (Included)
Additional Fixture Specs	See Page 61	See Page 64	See Page 61

To see the full product offering scan here:







CAD models available for download at 5thaxis.com/downloads or kemmler-shop.de

Low Profile Adapters

Part Number	RL52A-4 RL52S-4	RL52A-4-96 RL52S-4-96	RL52A-4-TRT100
			
Size	Ø116mm x 25mm	Ø116mm x 25mm	Ø116mm x 25mm
Subcategory	Low Profile Adapter	Low Profile Adapter	Low Profile Adapter
Materials	Aluminum (RL52A-4) or Steel (RL52S-4)	Aluminum (RL52A-4-96) or Steel (RL52S-4-96)	Aluminum (RL52A-4-TRT100)
Mounting	Drill Your Own M10 @ 50mm-100mm	2x M10 SHCS @ 96mm	HAAS TRT 100
Additional RockLock Specs	See Page 8	See Page 8	See Page 8

Low Profile Adapters and Integrated Tombstone

Part Number	RL52A-44 RL52S-44	RL52A-4560 RL52S-4560	RL52A-A96	RL52A-T31
				
Size	103.5mm x 103.5mm x 25mm	122.0mm x 102.1mm x 25mm	124.0mm x 124.0mm x 25mm	Ø160mm x 167mm
Subcategory	Low Profile Adapter	Low Profile Adapter	96mm to 52mm Adapter	52mm Integrated Tombstone 96mm Base
Materials	Aluminum (RL52A-44) or Steel (RL52S-44)	Aluminum (RL52A-4560) or Steel (RL52S-4560)	Aluminum (RL52A-A96)	Aluminum (RL52A-T31)
Mounting	2x SB1210 (Included) and 2x M12 or 1/2" @ Ø82mm 90°	4x M10 @ Ø116mm 60°	96mm Spacing and Includes 4x PS20F	96mm Spacing and Includes 4x PS20F
Additional RockLock Specs	See Page 9	See Page 9	See Page 10	See Page 10

RL52A-4

729,00 EUR

RL52S-4

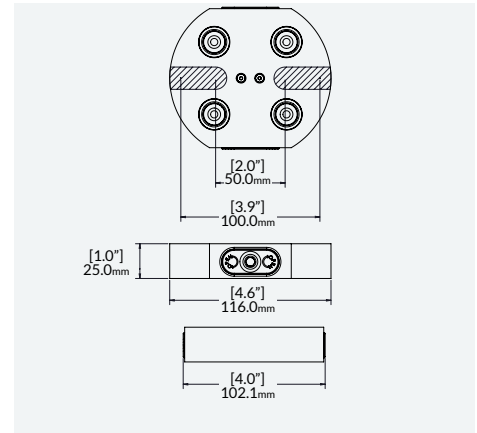
809,00 EUR



Size: Ø116mm x 25mm
Bolt Pattern: Drill Your Own Custom M10 @ 50mm-100mm
Material Construction: Aluminum (RL52A-4) Steel (RL52S-4)

This circular RockLock adapter is built for small and medium sized rotaries and trunnions with 50mm to 100mm bolt circle.

Repeatability of +/- 8 µm.



RL52A-4-96

729,00 EUR

RL52S-4-96

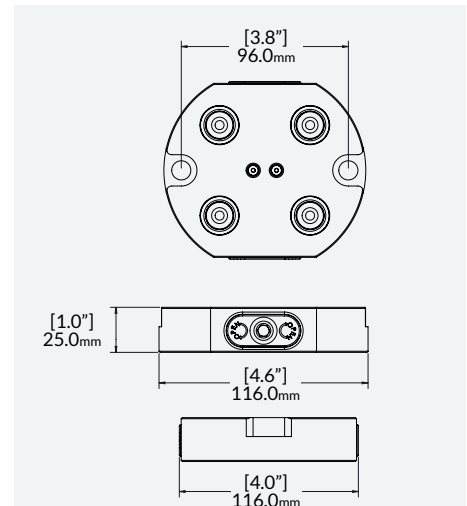
829,00 EUR



Size: Ø116mm x 25mm
Bolt Pattern: 2x M10 SHCS @ 96mm
Material Construction: Aluminum (RL52A-4-96) Steel (RL52S-4-96)

This circular RockLock adapter is built for small and medium sized rotaries and trunnions with 96mm bolt circle.

Repeatability of +/- 8 µm.



RL52A-4-TRT100

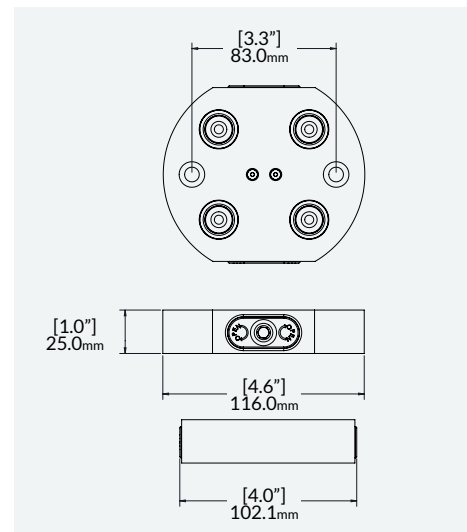
729,00 EUR



Size: Ø116mm x 25mm
Bolt Pattern: 2x 5/16" @ 82.98mm
Material Construction: Aluminum (RL52A-4-TRT100)

This circular RockLock adapter is built for the Haas TRT100 trunnion.

Repeatability of +/- 8 µm.



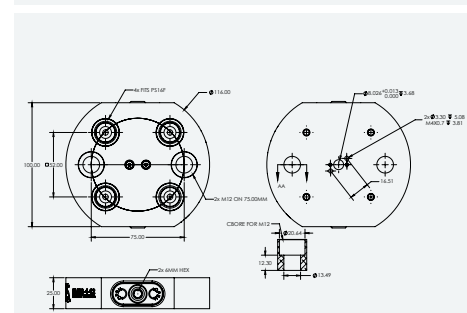
RL52A-4-12

729,00 EUR



Size: 116mm x 100mm x 25mm
Bolt Pattern: 2x M12 at 180° on 75mm PCD
Material Construction: Aluminum (A)

This circular RockLock adapter is built for small and medium sized rotaries and trunnions with 75mm bolt circle.



RL52A-44

649,00 EUR

RL52S-44

759,00 EUR

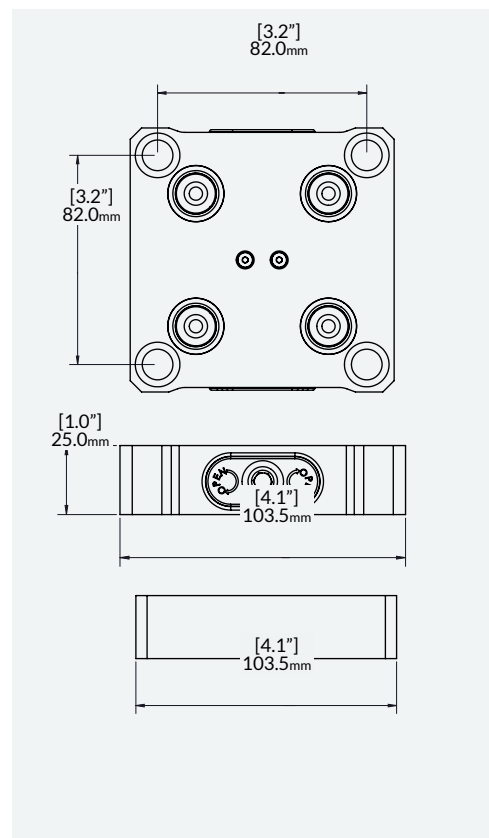


Size: 103.5mm x 103.5mm x 25mm
Spacing: 2x SB1210 (Included) and 2x M12 or 1/2" @ Ø82mm 90°. Through hole Ø12.02mm
Material Construction:
 Aluminum (RL52A-44)
 Steel (RL52S-44)

This square low profile adapter is built for custom tombstones.

Ships with 2x shoulder bolts (SB1210) for locating.

Repeatability of +/- 8 µm.



RL52A-4560

729,00 EUR

RL52S-4560

839,00 EUR

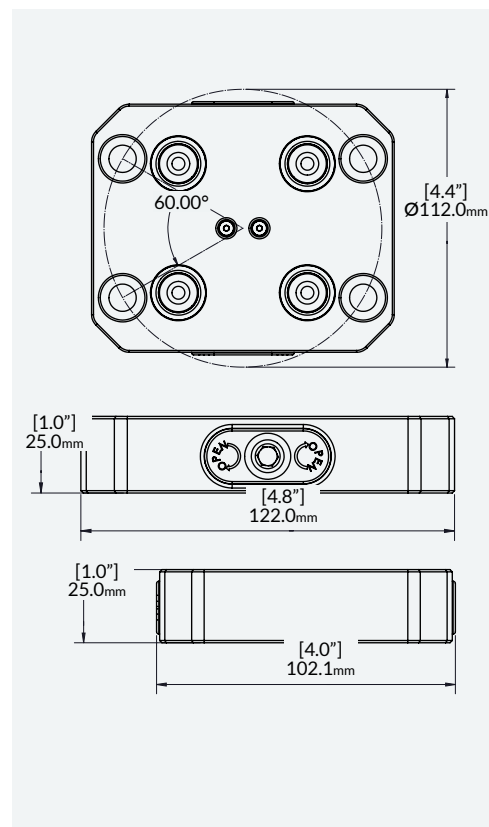


Size: 122.0mm x 102.1mm x 25.0mm
Spacing: 4x M10 @ Ø116mm
Material Construction:
 Aluminum (RL52A-4560)
 Steel (RL52S-4560)

This rectangular low profile adapter is built for small and medium sized rotaries with 60-degree T-slot spacing.

Ships with 2x rounded T-Slot nuts (14mm x M10) for maximum bolt circle capability.

Repeatability of +/- 8 µm.



RL52A-A96

879,00 EUR



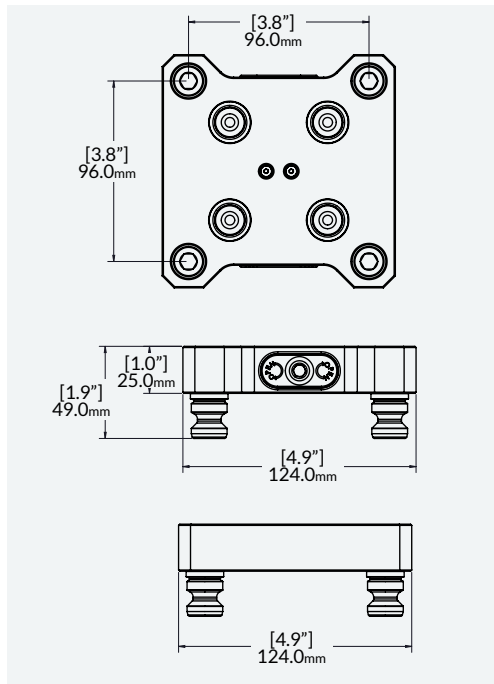
Size: 124.0mm x 124.0mm x 25.0mm
Bolt Pattern: 96mm Spacing and Includes 4x PS20F
Material Construction: Aluminum (RL52A-A96)

The RL52A-A96 allows for the quick and easy conversion between the 96mm system and the 52mm system.

96mm spacing on the bottom of the unit and the integrated 52mm system on the top quickly adapts 52mm top tooling to the 96mm risers and adapters.

The unit includes 4x PS20F and 96mm RockLock pattern on the bottom for mounting to any RL96 base.

Repeatability of +/- 8 µm.



RL52A-T31

2.099,00EUR



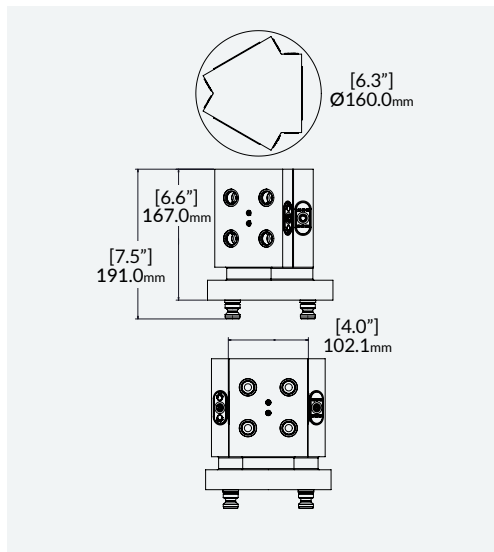
Size: Ø160mm X 167.0mm
Spacing: Includes 4x PS20F
Material Construction: Aluminum (RL52A-T31)

This 3-sided integrated RockLock tombstone can be mounted onto any RL96 base.

52mm spacing on the 3 faces of the tombstone. 96mm spacing on the bottom of the tombstone.

4x PS20F are included.

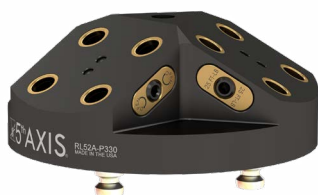
Repeatability of +/- 8 µm.



RL52A-P330

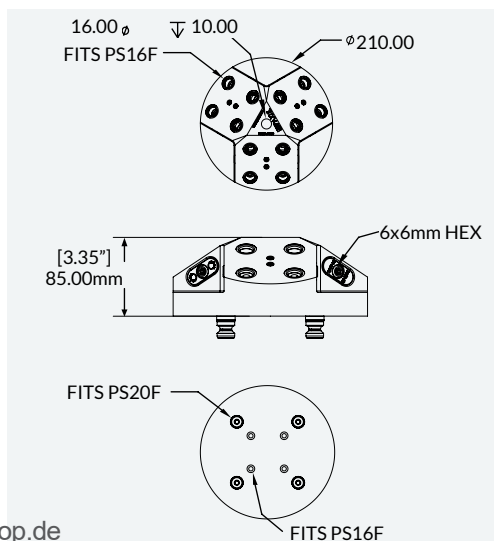
3-Sided Integrated RockLock Pyramid

2.499,00 EUR



Size: Ø210.00mm x 85mm
Mounting Pattern: 96mm RockLock
Material Construction: Aluminum (A)

The RL52A-P330 is a 3-sided (52mm quick change) pyramid ideal for increasing throughput on multi-axis machines. This pyramid was designed and optimized to work with 5 axis universal machines as well as robotic pallet changers.





PS16F

PULL STUD

Size: 52mm Pull Studs

Material Construction: S7 Tool Steel

26,00 EUR

The PS16F is necessary to use any 5th Axis 52mm base. The 52mm spacing on 5th Axis vises and adapters allow for compatibility with other competitive systems.

**Please note that pull studs must stay with the corresponding company's base plate. If you are using a 5th Axis 52mm RockLock base plate you will need 5th Axis pull studs (PS16F). The spacing and thread allows the top tooling to be interchangeable between the competitive systems.*



PS16F-PY

SINGLE PULL STUD WITH POKA-YOKE INSERT

Size: 52mm Pull Studs

Material Construction: S7 Tool Steel

48,00 EUR

Poka-yoke is a Japanese term that means "mistake-proofing" or "inadvertent error prevention". The PS16F-PY is a single modified pull stud with an aluminum ring. The ring is placed inside one of the locating holes in the RockLock base, allowing for only the single poka-yoke pull stud to fit inside the locating hole with the corresponding ring. This will prevent operators from changing the orientation and misloading a part.



PS16F-4PY

PULL STUDS WITH POKA-YOKE INSERT

Size: 52mm Pull Studs

Material Construction: S7 Tool Steel

126,00 EUR

3x Standard PS16F Pull Studs and one Poka-Yoke (PS16F-PY).



R52-BLANK

269,00 EUR

Size: 52mm Pull Studs

Material Construction: 6061 Aluminum

Blank 6061 aluminum block with 4x PS16F pull studs included. Quickly build your own fixture / subplate with the R52-Blank.



R52-HTS

329,00 EUR

Size: 52mm Pull Studs

Material Construction: 6061 Aluminum

Quick change adapter for the Renishaw OTS Tool Setter. Accurately remove and relocate the tool probe when its not in use. The part number includes the adapter plate and 4x PS16F pull studs.

**Requires any 52mm RockLock base unit.*

***Tool setter sold separately.*



RL52-MP

439,00 EUR

52mm Master Pallet

Size: 52mm Pull Studs

Material Construction: 4140 Steel

Mount the RockLock base onto the machine, drop in the master pallet, dial in your setup, and torque your mounting bolts once you have reached the desired location. This is the fastest, most accurate way to set up the RockLock system. Use the bore to find center and the edge to set rotation.

See page 33 for more info.

Maximum efficiency with 96mm

ROCKLOCK™ QUICK CHANGE SYSTEM



Reduce Setup and Changeover Time



Simple Modular Design



Solutions Available for 3, 4, & 5 Axis Machines

Vise



PS20F

Base



ROCKLOCK™ QUICK CHANGE SYSTEM

96mm RockLock

Repeatability less than 8 μ m

Industry standard 96mm pull stud spacing

Steel or aluminum body construction



96mm Pull Stud Spacing



Robust Single Actuation Screw



Steel Locating Features

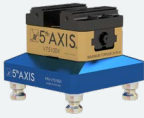







Patented free float design ensures equal force on all 4 pull studs. Compatible with other 96mm 4 pull stud systems. Simply change out the pull studs to ensure that the manufacturer's base plate and pull studs match.

RockLock 96mm Compatible Self-Centering Vises

Part Number	V562X	V510X
		
Size	126mm x 152mm x 74mm	126mm x 254mm x 74mm
Compatible Pull Studs	4x PS20F (Sold separately)	4x PS20F (Sold separately)
Overall Clamping Range	0 - 153.6mm	0 - 254.8mm
Additional Vise Specs	See Page 54	See Page 54

RockLock Compatible Self-Centering Vises

Part Number	R96-V75100X	R96-2V75100X	R96-V75150X	R96-2V75150X	R96-V75100T4	R96-V75XT4
						
Size	125mm x 126mm x 88mm	150mm x 177mm x 78mm	126mm x 150mm x 88mm	150mm x 177mm x 78mm	126mm x 126mm x 267mm	126mm x 126mm x 200mm
Vise	V75100X	2x V75100X	V75150X	2x V75150X	Compatible with V75100X (Vises Sold Separately)	Compatible with V75100X, V75150X, & DV75150X (Vises Sold Separately)
Vise Overall Clamping Range	0 - 76.3mm	N/A	0 - 128.8mm	N/A	N/A	N/A
Compatible Pull Studs	4x PS20F (Included)	4x PS20F (Included)	4x PS20F (Included)	4x PS20F (Included)	4x PS20F (Included)	4x PS20F (Included)
Vise Type	Self-Centering	Self-Centering	Self-Centering	Self-Centering	Self-Centering	Self-Centering or Double Station
Additional Vise Specs	See Page 53	See Page 53	See Page 53	See Page 47	See Page 33	See Page 33

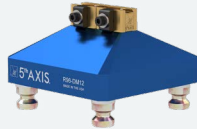
RockLock 96mm Double Station Vises

Part Number	R96-DV75150X-J1	R96-2DV75150X-J1	DV56-J1*	DV510-J1*	DV510-J4*
Size	126mm x 150mm x 88mm	150mm x 177mm x 78mm	126mm x 152mm x 73mm	126mm x 258mm x 73mm	126mm x 258mm x 73mm
Vise	DV75150X-J1	2x DV75150-J1	DV56-J1	DV510-J1	DV510-J4
Jaw Set	Hardened Steel 3 Piece Master Jaw Set	Hardened Steel 3 Piece Master Jaw Set	Hardened Steel 3 Piece Master Jaw Set	Hardened Steel 3 Piece Master Jaw Set with 2 inch center	Hardened Steel 3 Piece Master Jaw Set with 1 inch center
Compatible Pull Studs	4x PS20F (Included)	4x PS20F (Included)	4x PS20F (Sold separately)	4x PS20F (Sold separately)	4x PS20F (Sold separately)
Vise Type	Double Station	Double Station	Fixed Jaw / Double Station	Fixed Jaw / Double Station	Fixed Jaw / Double Station
Additional Vise Specs	See Page 45	See Page 47	See Page 48	See Page 49	See Page 49

96mm RockLock

Part Number	R96-DV75150X-J2	R96-2DV75150X-J2	DV56-J2*	DV510-J2*	R96-DV75150X-J3	R96-2DV75150X-J3	DV56-J3*	DV510-J3*
Size	126mm x 151mm x 88mm	150mm x 177mm x 78mm	126mm x 152mm x 89mm	126mm x 258mm x 89mm	126mm x 151mm x 88mm	150mm x 177mm x 78mm	126mm x 152mm x 89mm	126mm x 258mm x 89mm
Vise	DV75150-J2	2x DV75150-J2	DV56-J2	DV510-J2	DV75150-J3	2x DV75150-J3	DV56-J3	DV510-J3
Jaw Set	6061 Aluminum Soft Jaw Set	6061 Aluminum Soft Jaw Set	6061 Aluminum Soft Jaw Set	6061 Aluminum Soft Jaw Set	1018 Steel Machinable Jaws	1018 Steel Machinable Jaws	1018 Steel Machinable Jaws	1018 Steel Machinable Jaws
Compatible Pull Studs	4x PS20F (Included)	4x PS20F (Included)	4x PS20F (Sold separately)	4x PS20F (Sold separately)	4x PS20F (Included)	4x PS20F (Included)	4x PS20F (Sold separately)	4x PS20F (Sold separately)
Vise Type	Double Station	Double Station	Double Station	Double Station	Double Station	Double Station	Double Station	Double Station
Additional Vise Specs	See Page 47	See Page 47	See Page 48	See Page 50	See Page 46	See Page 46	See Page 46	See Page 46

Dovetail Fixtures

Part Number	R96-DM12	R96-2DM12	R96-P12DM12	R96-DM25
				
Size	126mm x 126mm x 67mm	126mm x 126mm x 67mm	126mm x 126mm x 133mm	126mm x 126mm x 75mm
Fixture	DM12	2x DM12	12x DM12	DM25
Stock Size	12mm and Above	12mm and Above	12mm and Above	25mm and Above
Compatible Pull Studs	4x PS20F (Included)	4x PS20F (Included)	4x PS20F (Included)	4x PS20F (Included)
Additional Fixture Specs	See Page 64	See Page 64	See Page 64	See Page 61

Dovetail Fixtures

Part Number	R96-P4DM25	R96-DM50	R96-D115T41	R96-CERX-40
				
Size	Ø152mm x 65mm	126mm x 126mm x 76mm	126mm x 126mm x 107mm	126mm x 126mm x 81mm
Fixture	4x DM25	DM50	4x D115 *Fixtures sold separate*	CER40
Stock Size	25mm and Above	50mm and Above	25mm and Above	Utilizes Standard ER40 Collet Nut
Compatible Pull Studs	4x PS20F (Included)	4x PS20F (Included)	4x PS20F (Included)	4x PS20F (Included)
Additional Fixture Specs	See Page 64	See Page 60	See Page 34	See Page 66

To see the full product offering scan here:



Low Profile Bases

Part Number	RL96A-56 RL96S-56	RL96A-6760 RL96S-6760	RL96A-6790 RL96S-6790	RL96A-67 RL96S-67	RL96S-67M	RL96A-60100 RL96S-60100	RL96A-66 RL96S-66
Size	158mm x 126mm x 30mm	174mm x 158mm x 30mm	156mm x 158mm x 30mm	158mm x 176mm x 30mm	158mm x 176mm x 30mm	158mm x 150mm x 30mm	158mm x 150mm x 30mm
Subcategory	Low Profile Adapter	Low Profile Adapter	Low Profile Adapter	Low Profile Adapter	Low Profile Adapter	Low Profile Adapter	Low Profile Adapter
Materials	Aluminum (RL96A-56) or Steel (RL96S-56)	Aluminum (RL96A-6760) or Steel (RL96S-6760)	Aluminum (RL96A-6790) or Steel (RL96S-6790)	Aluminum (RL96A-67) or Steel (RL96S-67)	Steel (RL96S-67M)	Aluminum (RL96A-60100) or Steel (RL96S-60100)	Aluminum (RL96A-66) or Steel (RL96S-66)
Mounting	2x M12 SHCS @ 100mm - 101.6mm	4x M12 @ Ø170.0mm 60°	4x M10 @ Ø184.5mm 90°	4x 1/2" SB @ 6.0" x 4.0"	4x M12 SB @ 150mm x 100mm	4x M10 @ Ø100mm 90°	Drill your own mounting holes
Additional RockLock Specs	See Page 20	See Page 20	See Page 21	See Page 21	See Page 21	See Page 22	See Page 22

96mm RockLock





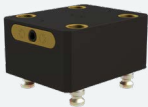
Risers

Part Number	RL96A-38	RL96A-411	RL96A-3915	RL96A-4816
Size	Ø 201.9mm x 75.0mm	Ø 276mm x 100mm	381mm x 230mm x 80mm	400mm x 200mm x 100mm
Subcategory	Single Position Riser	Single Position Riser	Multi-Position Riser	Multi-Position Riser
Materials	Aluminum (RL96A-38)	Aluminum (RL96A-411)	Aluminum (RL96A-3915)	Aluminum (RL96A-4816)
Mounting	4x M12 bolts @ 90° on Ø 178.0mm or 3x M12 bolts @ 120° on Ø 178.0mm	4x M12 bolts @ 90° on Ø 9.92"	4x M16 bolts @ 200mm square	4x M12 @ 320mm x 160mm rectangle (80mm T-slots) or 4x M16 @ 360mm x 126mm rectangle (63mm T-slots)
Additional RockLock Specs	See Page 23	See Page 23	See Page 24	See Page 24

Multi-Position Plates

Part Number	RL96A-3613S1	RL96A-3613S2	RL96A-3613S3
			
Size	158mm x 338mm x 30mm	158mm x 338mm x 30mm	158mm x 338mm x 30mm
Subcategory	Multi-Position Horizontal Plate	Multi-Position Horizontal Plate	Multi-Position Horizontal Plate
Materials	Aluminum (RL96A-3613S1)	Aluminum (RL96A-3613S2)	Aluminum (RL96A-3613S3)
Mounting	2x M12 SHCS @ 96mm or 250mm	4x M12 SHCS Equally Spaced @ 80mm	4x M12 SHCS Equally Spaced @ 100mm
Additional RockLock Specs	See Page 25	See Page 25	See Page 25

Tombstones, Right Angle Plate, and Single Position Riser

Part Number	RL96A-4004U	RL96A-3002 RL96S-3002	RL96A-3003 RL96S-3003	RL96A-90DEG	RL96A-356* RL96S-356*
					
Size	230mm x 230mm x 600mm	300mm x 300mm x 400mm	300mm x 300mm x 400mm	149.4mm x 158mm x 200mm	158mm x 126mm x 75mm
Subcategory	96mm Integrated Tombstone	96mm Integrated Tombstone	96mm Integrated Tombstone	Right Angle Plate	Single Position Riser
Materials	Aluminum	Aluminum (RL96A-3002) or 1018 Steel (RL96S-3002)	Aluminum (RL96A-3003) or 1018 Steel (RL96S-3003)	Aluminum (RL96A-90DEG)	Aluminum (RL96A-356) or Steel (RL96S-356)
Mounting	80mm Grid 100mm Grid	Machine Specific*	Machine Specific*	4x PS20F (Included) or 2x M12 SHCS @ 100mm - 101.6mm (4")	4x PS20F (Included)
Additional RockLock Specs	See Page 31	See Page 29	See Page 29	See Page 30	See Page 30

RL96A-56

879,00 EUR

RL96S-56

1.049,00 EUR



Size: 158mm x 126mm x 30mm

Spacing: 2x M12 SHCS @ 100mm - 101.6mm

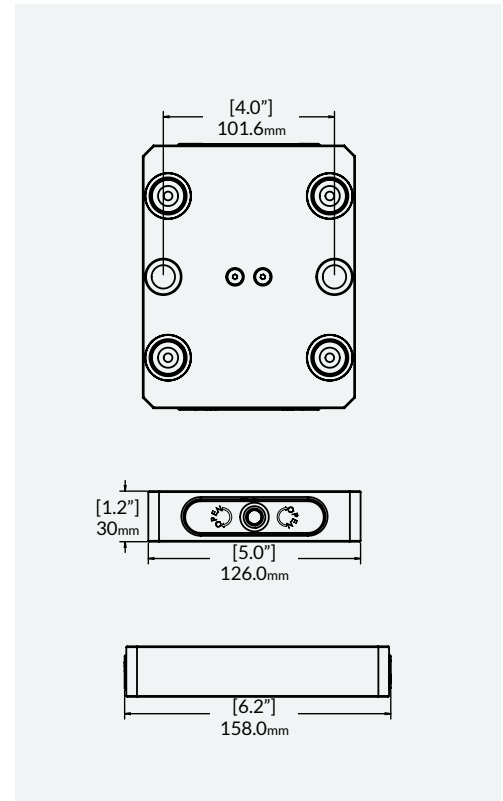
Material Construction:

Aluminum (RL96A-56)

Steel (RL96S-56)

The adapter has two enlarged counterbores to allow mounting from 100mm to 101.6mm for M12 or 1/2-13 SHCS for simple mounting to T-slots.

Repeatability of +/- 8 µm.



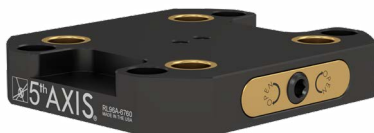
96mm RockLock

RL96A-6760

929,00 EUR

RL96S-6760

1.139,00 EUR



Size: 174mm x 158mm x 30mm

Spacing: 4x M12 @ Ø170.0mm on 60°

Material Construction:

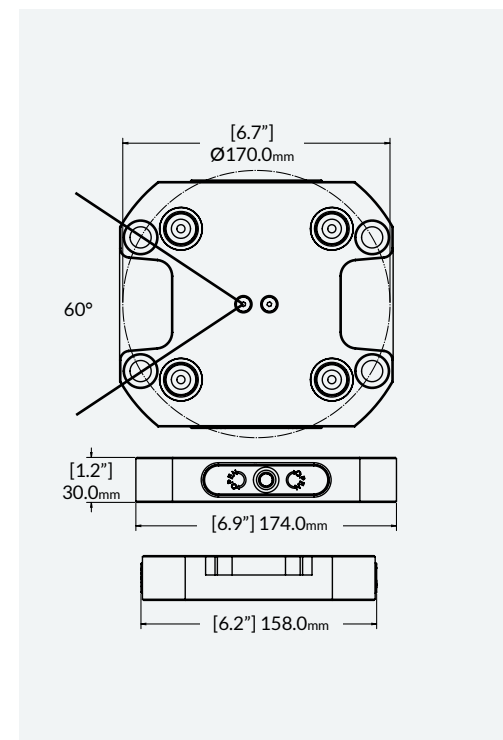
Aluminum (RL96A-6760)

Steel (RL96S-6760)

The RL96-6760 series quick change adapter was built for the Haas TR-210 series rotaries, Hurco VMX30 series rotaries, and any other rotary with 60 degree radial T-slots.

A quick turn of the wrench actuates the cam mechanism to lock and release your fixtures and vises for fast changeover.

Repeatability of +/- 8 µm.



RL96A-6790

929,00 EUR

RL96S-6790

1.139,00 EUR



Size: 156mm x 158mm x 30mm

Spacing: 4x M10 @ Ø184.5mm

Material Construction:

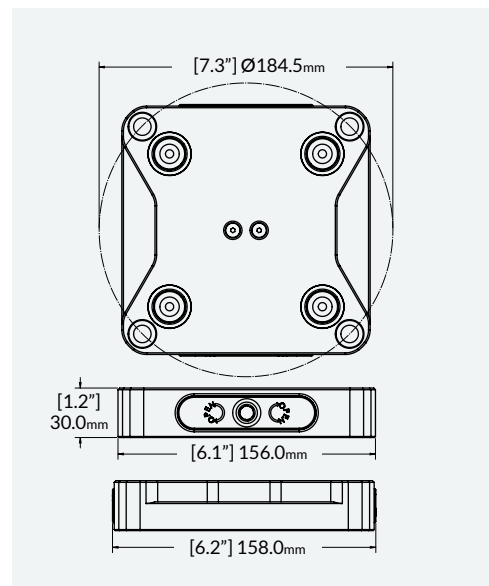
Aluminum (RL96A-6790)

Steel (RL96S-6790)

The RL96-6790 quick change adapter was built for any rotary with 90 degree radial T-slots.

A quick turn of the wrench actuates the cam mechanism to lock and release your fixtures and vises for fast changeover.

Repeatability of +/- 8 µm.

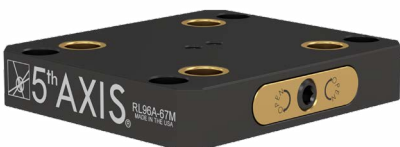


RL96A-67

889,00 EUR

RL96S-67

1.089,00 EUR



Size: 158.0mm x 176.0mm x 30mm

Spacing: 4x 1/2" SB @ 6.0" x 4.0".

Through hole Ø0.501"

Material Construction:

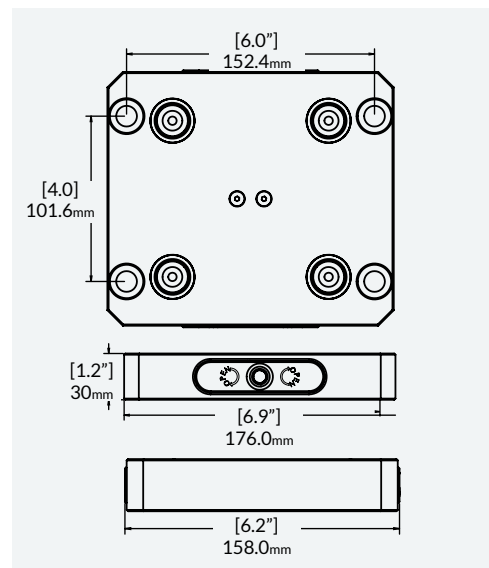
Aluminum (RL96A-67)

Steel (RL96S-67)

The RL96-67 was built specifically for horizontal machining centers.

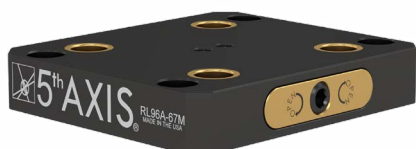
Bolt pattern 6.0" x 4.0" allows for easy mounting to most standard tombstone grid pattern spacing.

Repeatability of +/- 8 µm.



RL96S-67M

1.089,00 EUR



Size: 158.0mm x 176.0mm x 30mm

Spacing: 4x M12 @ 150.0mm x 100.0mm. Through hole Ø12.02mm

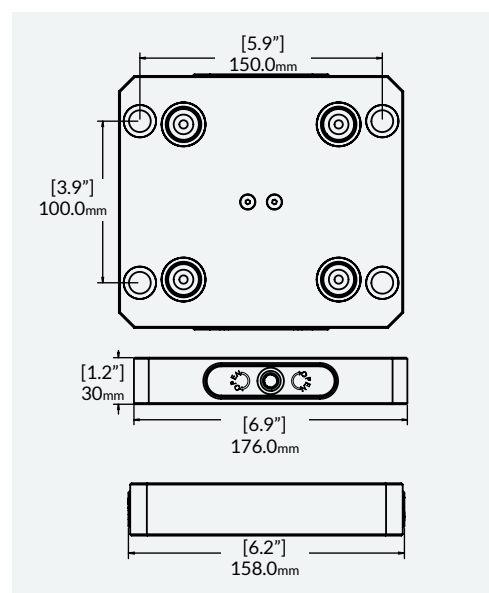
Material Construction:

Steel (RL96S-67)

The RL96-67M was built specifically for tombstones on horizontal machining centers.

Bolt pattern 150mm x 100mm allows for easy mounting to most standard tombstone grid pattern spacing.

Repeatability of +/- 8 µm.

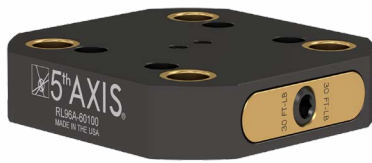


RL96A-60100

929,00 EUR

RL96S-60100

1.139,00 EUR



Size: 158mm x 150mm x 30mm

Spacing: 4x 100mm

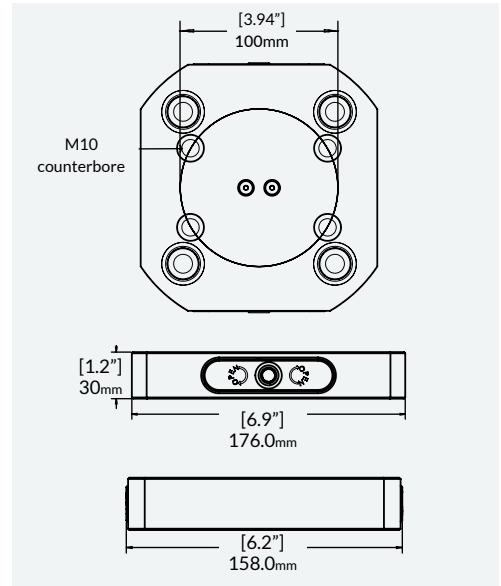
Material Construction:

Aluminum (RL96A-60100)

Steel (RL96S-60100)

The RL96-60100 series quick change adapter was built with 4x counterbores with 100mm spacing. Fitments include the new Haas TRT160 and many others.

Repeatability of +/- 8 µm.



RL96A-66

879,00 EUR

RL96S-66

1.049,00 EUR



Size: 158mm x 150mm x 30mm

Spacing: Drill your own

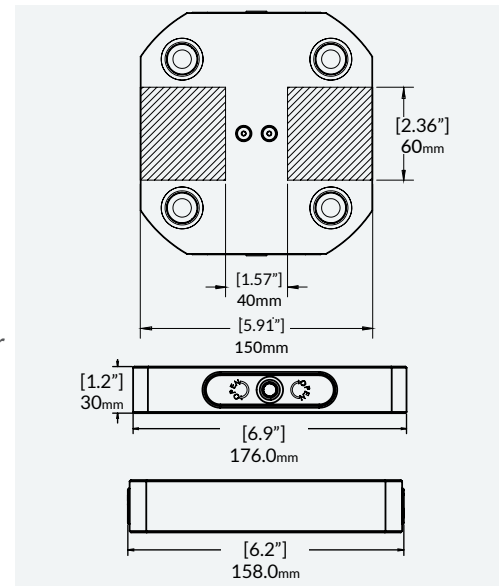
Material Construction:

Aluminum (RL96A-66)

Steel (RL96S-66)

The RL96-66 series quick change adapter was built to accommodate a variety of machines that are not part of our standard offering. The blank adapter allows for drilling your own mounting holes.

Repeatability of +/- 8 µm.

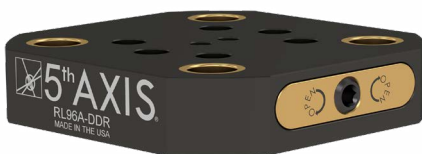


RL96A-DDR

929,00 EUR

RL96S-DDR

1.139,00 EUR



Size: 150mm x 158mm x 34.5mm

Spacing: Specific to DDR

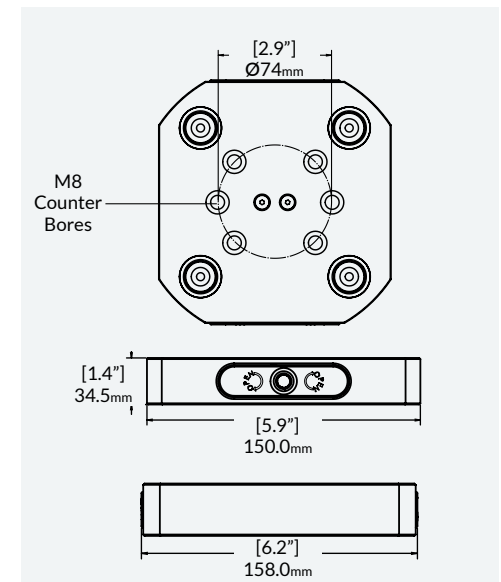
Material Construction:

Aluminum (RL96A-DDR)

Steel (RL96S-DDR)

The RL96-DDR was built for the Fanuc DDR rotary table.

Repeatability of +/- 8 µm.



RL96A-38

1.219,00 EUR



Size: Ø 201.9mm x 75.0mm

Spacing:

4x M12 bolts @ 90° on Ø 78mm

or

3x M12 bolts @ 120° on Ø 178mm

Material Construction:

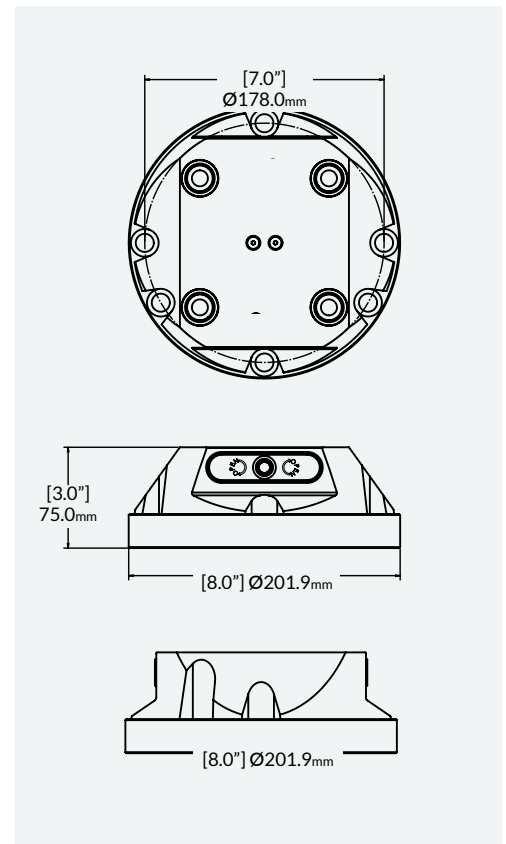
Aluminum (RL96A-38)

The RL96A-38 series quick change adapter was built for medium sized rotaries and smaller 5 axis machines (~300mm range).

With bolt patterns at 60 degrees and 90 degrees this adapter is flexible and fits on a majority of the most popular rotaries and 5 axis tables on the market.

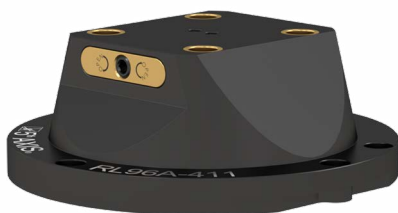
The 75mm overall height makes it ideal for smaller parts that you want to raise above the table.

Repeatability of +/- 8 µm.



RL96A-411

1.509,00 EUR



Size: Ø 276mm x 100mm

Spacing:

4x 1/2-13 or M12 bolts @ 90° on Ø 252.0mm or

3x 1/2-13 or M12 bolts @ 120° on Ø 252mm

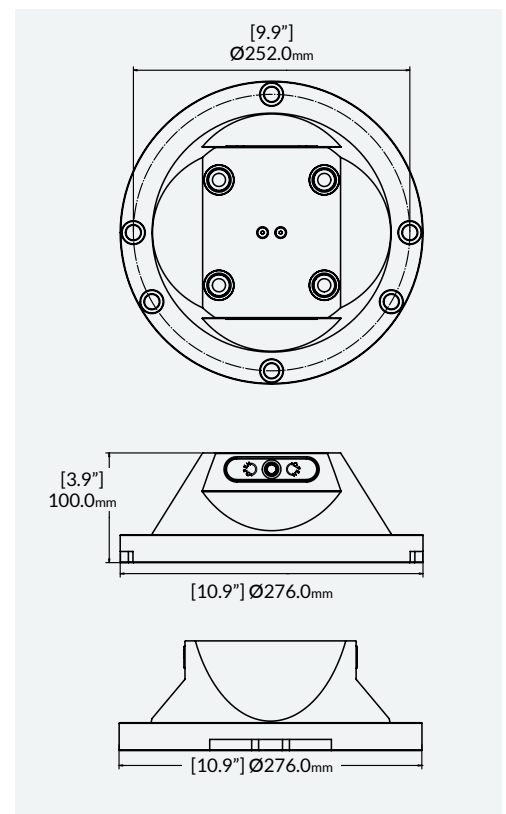
Material Construction:

Aluminum (RL96A-411)

The RL96A-411 is an integrated RockLock riser built into one of our most popular adapters.

The 276mm diameter adapter x 100mm overall height is ideal for medium to large 5 axis machines like the DMG Mori DMU50 and DMU60 as well as the Haas UMC-750 and UMC-750SS.

Repeatability of +/- 8 µm.



RL96A-3915

2.429,00 EUR

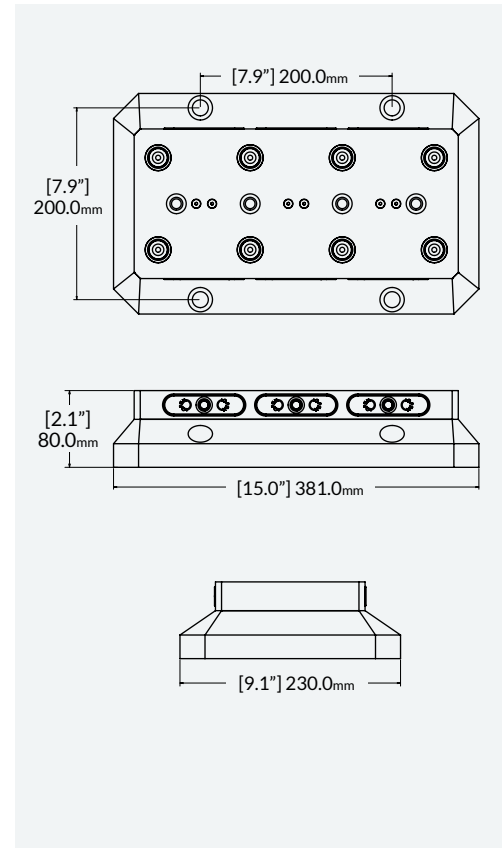


Size: 381mm x 230mm x 80mm
Spacing: 4x M16 bolts @ 200mm square
Material Construction: Aluminum (RL96A-3915)

The RL96A-3915 was built with larger machines in mind (400mm-500mm tables).

Utilize one singular large vise or accommodate two smaller workholding units to maximize machine efficiency and reduce changeover time.

Repeatability of +/- 8 µm.



96mm RockLock

RL96A-4816

2.429,00 EUR

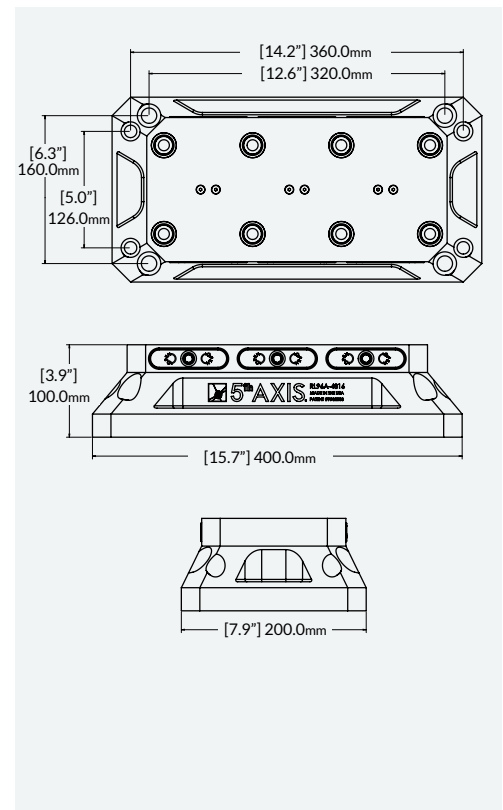


Size: 400mm x 200mm x 100mm
Spacing: 4x M12 @ 320mm x 160mm rectangle (80mm T-slots) or 4x M16 @ 360mm x 126mm rectangle (63mm T-slots)
Material Construction: Aluminum (RL96A-4816)

The RL96A-4816 is an integrated multi-position RockLock riser built into one of the largest adapters in the product line.

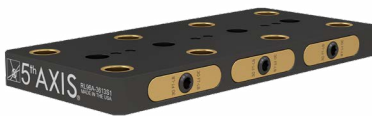
Utilize one large vise or accommodate two smaller vises with this riser.

Repeatability of +/- 8 µm.



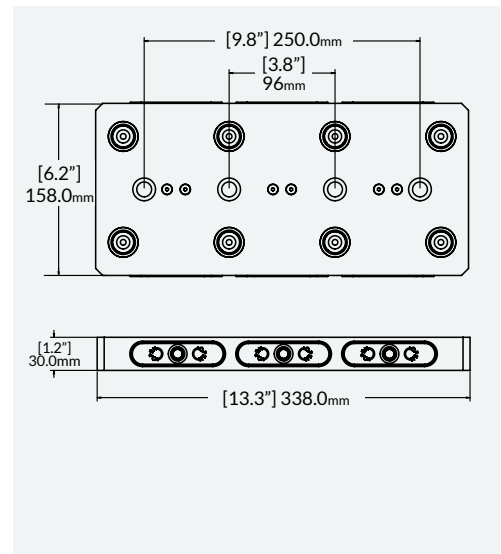
RL96A-3613S1

1.199,00 EUR



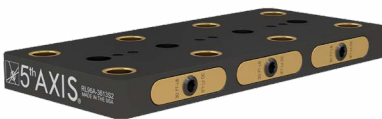
Size: 158mm x 338mm x 30mm
Spacing: 2x M12 SHCS @ 96mm or 250mm
Material Construction:
 Aluminum (RL96A-3613S1)

The RL96A-3613S1 is a multi-position RockLock plate built for maximum efficiency on small to medium vertical mills. The nested RockLock 96mm pattern allows for the operator to utilize one single large vise or two smaller vises. 125mm T-slot spacing for 3 axis mills.
 Repeatability of +/- 8 µm.



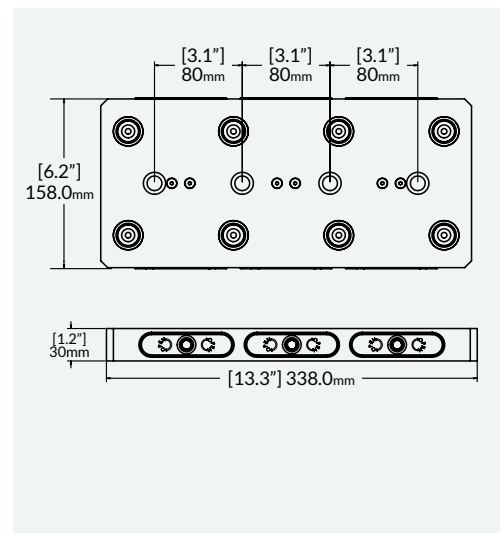
RL96A-3613S2

1.199,00 EUR



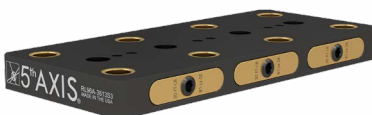
Size: 158mm x 338mm x 30mm
Spacing: 4x M12 SHCS Equally Spaced @ 80mm
Material Construction:
 Aluminum (RL96A-3613S2)

The RL96A-3613S2 is a multi-position RockLock plate built for maximum efficiency on small to medium vertical mills. The nested RockLock 96mm pattern allows for the operator to utilize one single large vise or two smaller vises. 80mm T-slot spacing for 3 axis mills.
 Repeatability of +/- 8 µm.



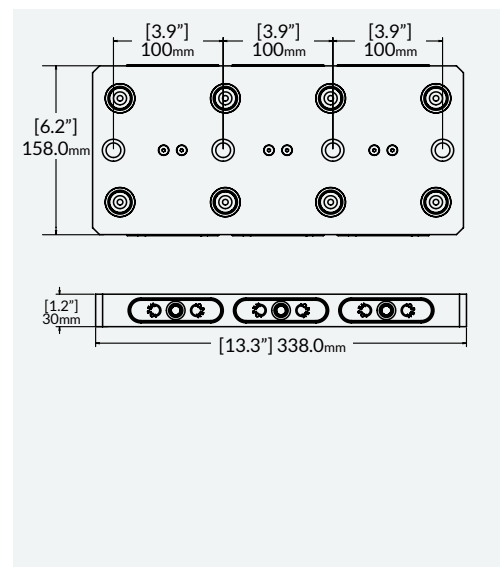
RL96A-3613S3

1.199,00 EUR



Size: 158mm x 338mm x 30mm
Spacing: 4x M12 SHCS Equally Spaced @ 100mm
Material Construction:
 Aluminum (RL96A-3613S3)

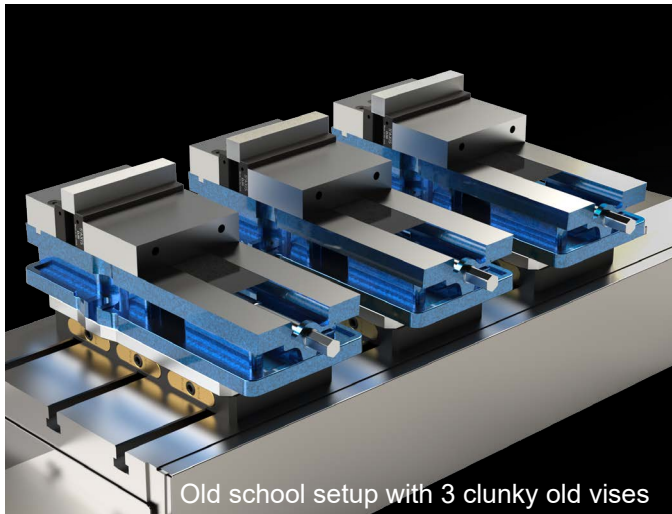
The RL96A-3613S3 is a multi-position RockLock plate built for maximum efficiency on small to medium vertical mills. The nested RockLock 96mm pattern allows for the operator to utilize one single large vise or two smaller vises. 100mm T-slot spacing for 3 axis mills.
 Repeatability of +/- 8 µm.



More Parts Per Cycle = More Profit
Profitability Through Efficiency

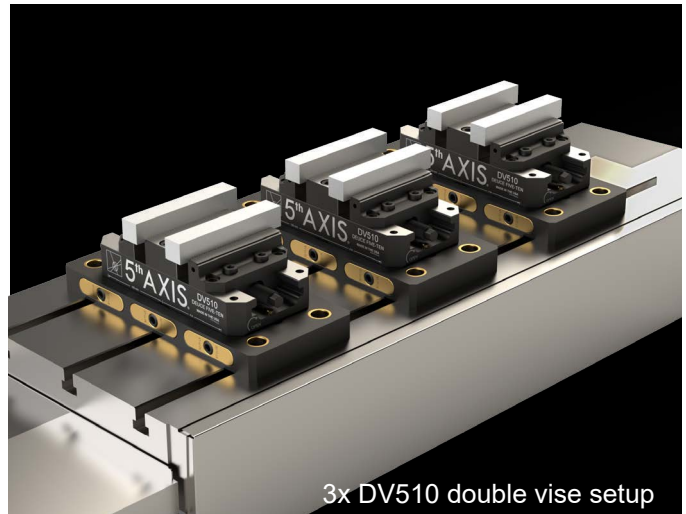
96mm RockLock

3 Parts Per Cycle



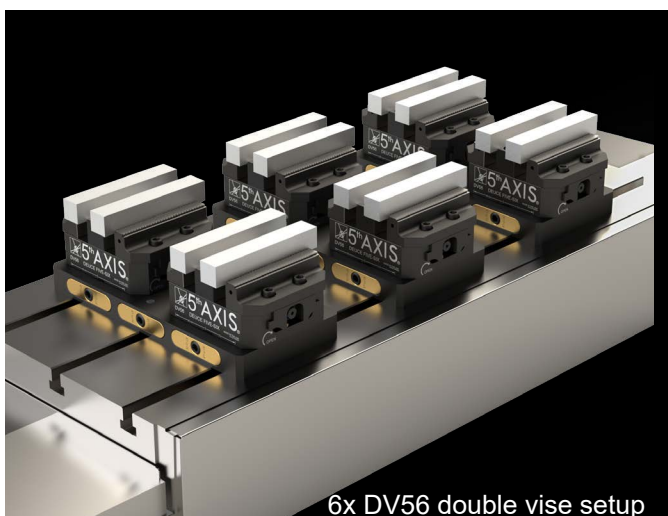
Old school setup with 3 clunky old vises

6 Parts Per Cycle



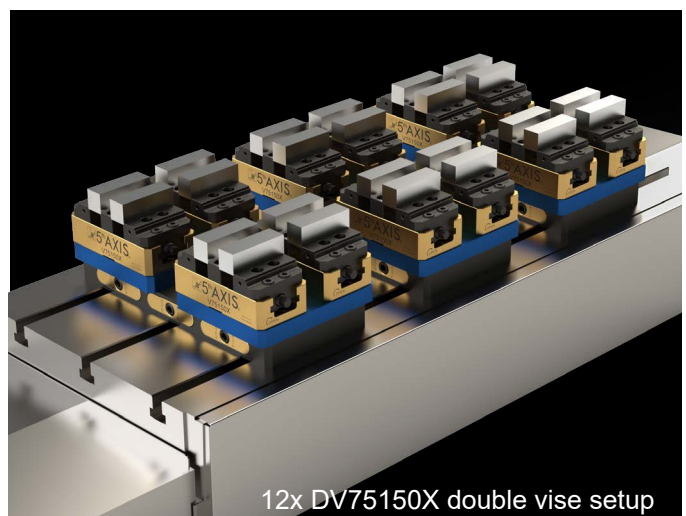
3x DV510 double vise setup

12 Parts Per Cycle



6x DV56 double vise setup

24 Parts Per Cycle



12x DV75150X double vise setup

RL96S-68

1.089,00 EUR

RL96A-68

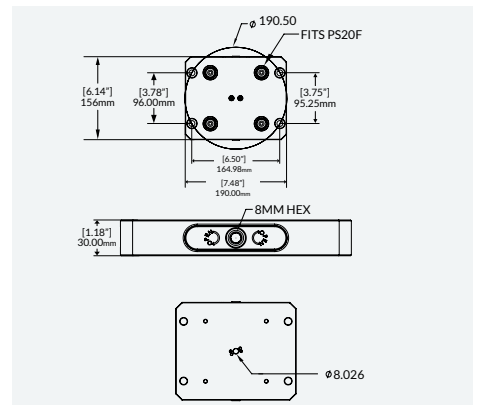
889,00 EUR



Size: 190mm x 156mm x 30mm
Material Construction:
 Steel (RL96S-68)
 Aluminum (RL96A-68)

The RL96-68 is a low profile 96mm quick change adapter plate. Designed for the new Haas TRT-210 rotary.

96mm Low Profile Base



RL96A-2710

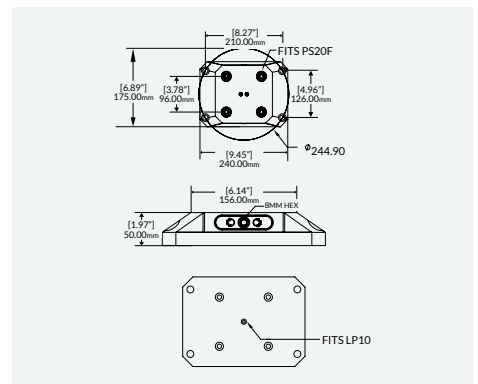
96mm Riser

1.199,00 EUR



Size: 175mm x 240mm x 50mm
Mounting: 4x M12 on 126mm x 210mm grid
Material Construction: Aluminum (A)

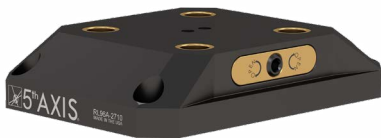
The RL96A-2710 is a single position riser built for the new Haas UMC500. The RL96A-2710 integrates with the RockLock system for maximum changeout efficiency.



RL96S-6695

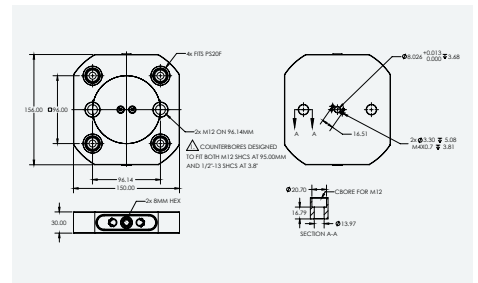
96mm Low

1.139,00 EUR



Size: 156mm x 150mm x 30mm
Mounting: 2x M12 at 180° on 96.14mm PCD
Material: Steel (S)
Weight: 4,10 kg

The RL96-66 series quick change adapter was built specifically for the MAM pallet on the Matsuura MAM-72 series machines.



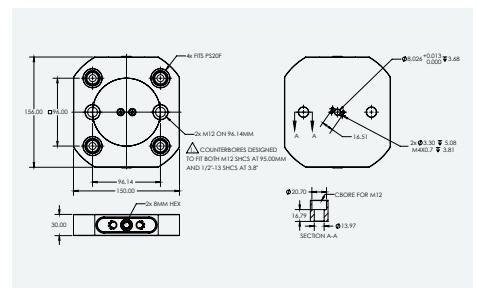
RL96A-6695

929,00 EUR



Size: 156mm x 150mm x 30mm
Mounting: 2x M12 at 180° on 96.14mm PCD
Material: Aluminum (A)

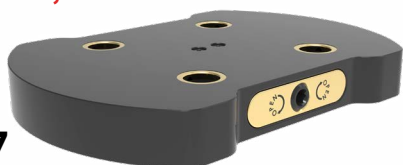
The RL96-66 series quick change adapter was built specifically for the MAM pallet on the Matsuura MAM-72 series machines.



RL96A-10

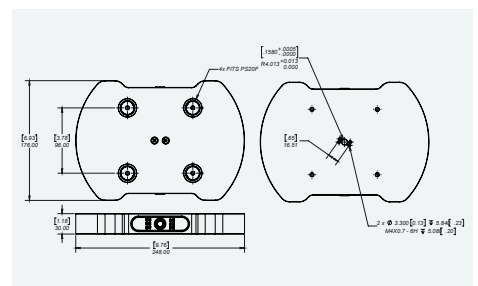
96mm Low Profile

979,00 EUR



Size: Ø248mm x 30mm
Mounting: DIY Ø248mm
Material: Aluminum (A)
Weight: 2,72 kg

The RL96-66 series quick change adapter was built as a DIY mounting base for medium to large rotary tables.



RL96A-2715

96mm Riser

2.399,00 EUR



Size: 175mm x 240mm x 50mm

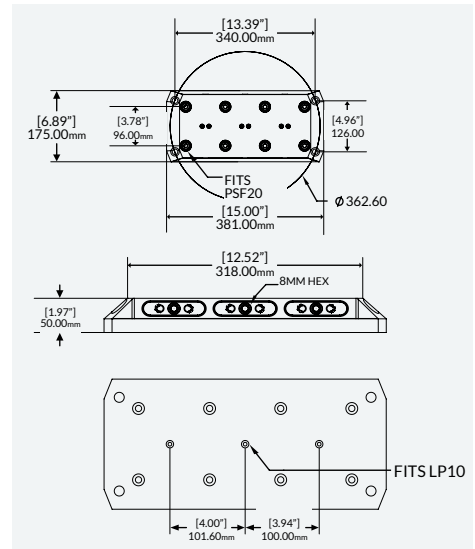
Mounting:

4x M12 on 126mm x 210mm grid

Material Construction: Aluminum (A)

The RL96A-2715 is a multi-position riser built for the new Haas UMC-500.

The RL96A-2715 provides maximum changeout efficiency with the RockLock system.



96mm RockLock

RL96A-488

Riser Adapter

1.389,00 EUR



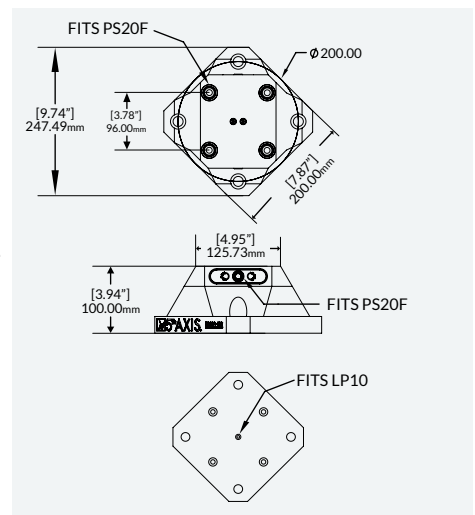
Size: 200mm x 200mm x 100mm

Mounting:

4x M12 @ 90° on 200mm PCD

Material Construction: Aluminum (A)

The RL96A-488 riser adapter provides multiple mounting options to meet various application needs and functions with the RockLock system to reduce setup time.



RL96A-T31

3-Sided Integrated RockLock Tombstone

2.839,00 EUR

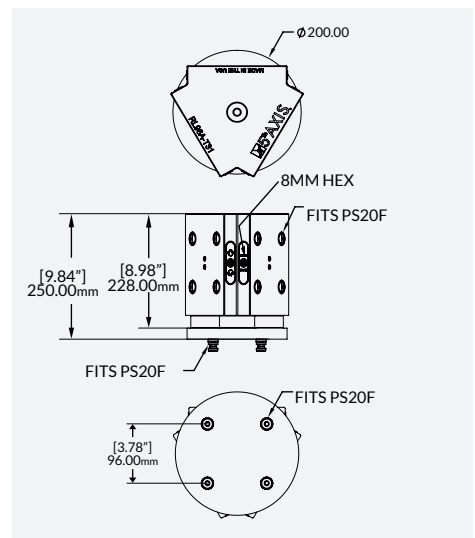


Size: Ø200mm x 250mm

Mounting: 96mm, includes pull studs

Material Construction: Aluminum (A)

Ideal for automated systems, the RL96A-T31 tombstone provides three mounting sides for part manufacturing. The RL96A-T31 can be mounted onto any 96mm RockLock base.



RL96A-3002

3.249,00 EUR

RL96S-3002

4.329,00 EUR



Size: 300mm x 300mm x 400mm

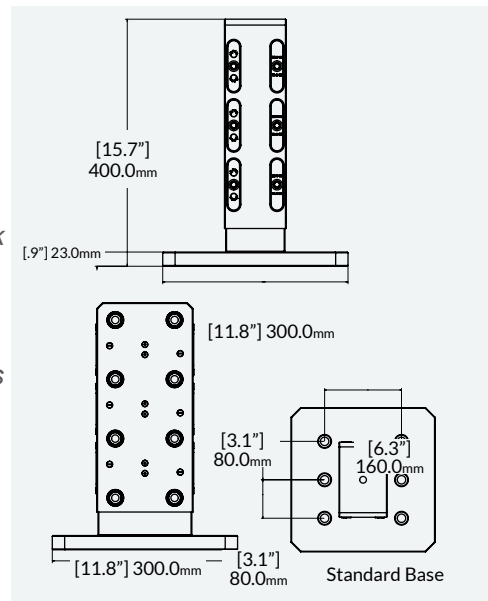
Spacing: Custom

Material Construction:

Aluminum (RL96A-3002)

Steel (RL96S-3002)

This two sided 300mm tombstone integrates the RockLock 96mm quick change system. This tombstone is perfect for mid-sized 5 axis machines. It is also a perfect fit for 300mm horizontal machining centers offered by Kitamura and Kitagawa. All units feature hardened steel internals and locating features. All tombstones are built to order, and the base plate is customized to your machine table or pallet specs. Repeatability of +/- 8 µm.



RL96A-3003

4.329,00 EUR

RL96S-3003

5.409,00 EUR



Size: 300mm x 300mm x 400mm

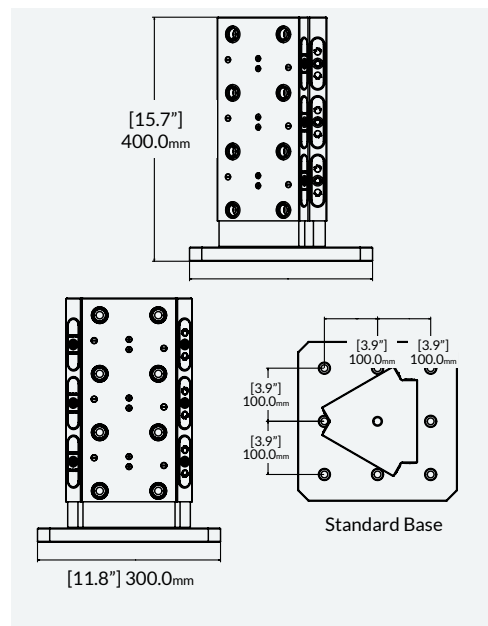
Spacing: Custom

Material Construction:

Aluminum (RL96A-3003)

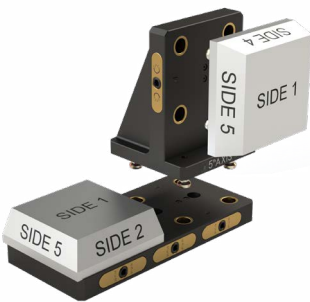
Steel (RL96S-3003)

This three sided 300mm tombstone integrates the RockLock 96mm quick change system. This tombstone is perfect for mid sized 5 axis machines. It is also a perfect fit for 300mm horizontal machining centers. All units feature hardened steel internals and locating features. All tombstones are built to order, and the base plate is customized to your machine table or pallet specs. Repeatability of +/- 8 µm.



RL96A-90DEG

1.439,00 EUR

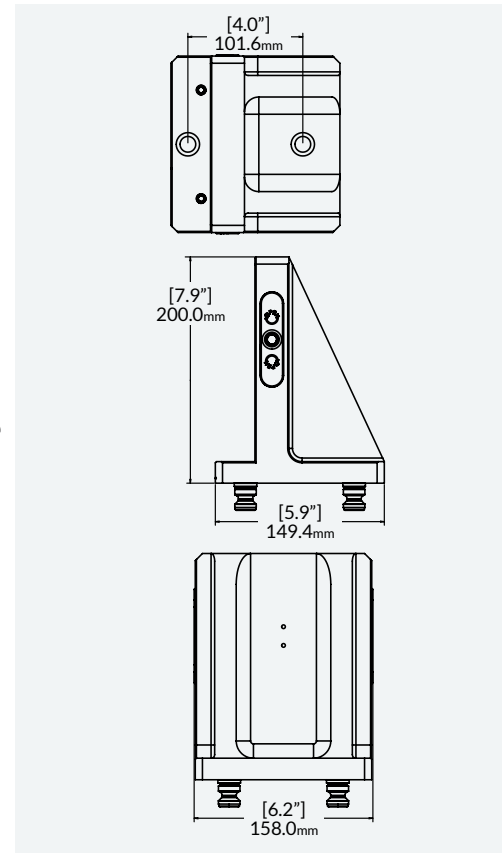


Size: 149.4mm x 158mm x 200mm
Spacing: RockLock PS20F or 2x M12 SHCS @ 100mm - 101.6mm
Material Construction: Aluminum (RL96A-90DEG)

The 90° right angle RockLock plate is the perfect low cost solution for multi-side machining. Machine 5 sides of a part without a 5 axis machine. The unit features pull studs on the bottom so that it can be mounted onto any 96mm RockLock plate. It also has 2 counter bores for traditional mounting to machine T-slots at 4" or 100mm.

Simply machine your material, unlock the system, rotate the material, lock the system and continue machining.

Includes 4x PS20F.
 Repeatability of +/- 8 µm..



96mm RockLock

RL96A-356

1.219,00 EUR

RL96S-356

1.389,00 EUR



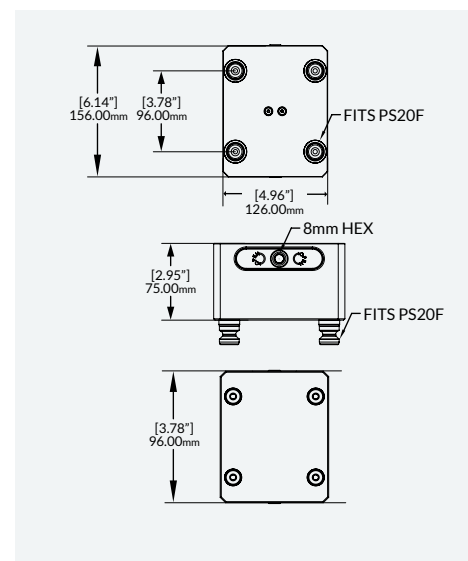
Size: 158mm x 126mm x 75mm
Spacing: RockLock PS20F 96mm
Material Construction: Aluminum (RL96A-356) Steel (RL96S-356)

Built to give extra rise from any RockLock bases.

The small profile was created to reduce any interference.

Includes 4x PS20F.

Repeatability of +/- 8 µm.



RL96A-4004U

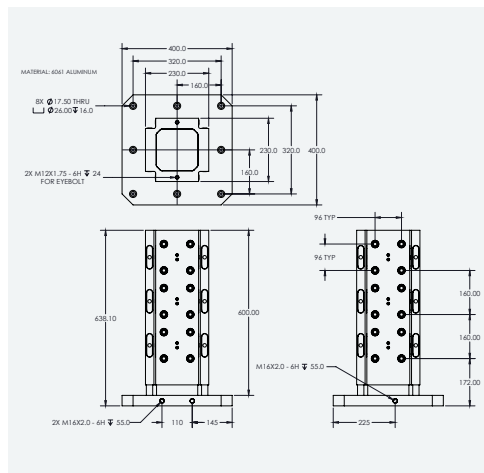
400mm Four-Sided RockLock™ Tombstone, Aluminum

4,995.00 EUR



Size: 230mm x 230mm x 600mm
Material Construction: Aluminum
Mounting: 80mm grid
of Positions: 12 total, 3 per side
Weight: 80 kg
Weight w/ Freight: 98 kg

This lightweight four sided 400mm tombstone integrates the RockLock 96mm quick change system. This tombstone is perfect for pallet exchange systems with low weight restrictions.



RL96A-5004U

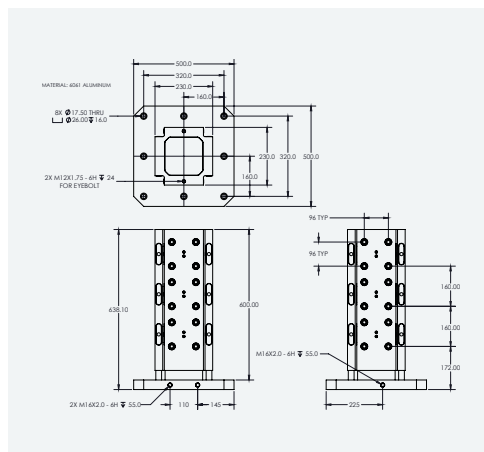
500mm Four-Sided RockLock™ Tombstone w/500mm Base, Aluminum

4.995,00 EUR



Size: 230mm x 230mm x 600mm
Base: 500mm
Material Construction: Aluminum
Mounting: 100mm grid
of Positions: 12 total, 3 per side
Weight: 88 kg
Weight w/ Freight: 90 kg

This lightweight four-sided 500mm tombstone features the integrated RockLock 96mm quick change system. This tombstone is perfect for pallet exchange systems with low weight restrictions. All units feature hardened steel internals and locating features. This tombstone has a baseplate with 80mm /100mm grid spacing.



RL96A-T31

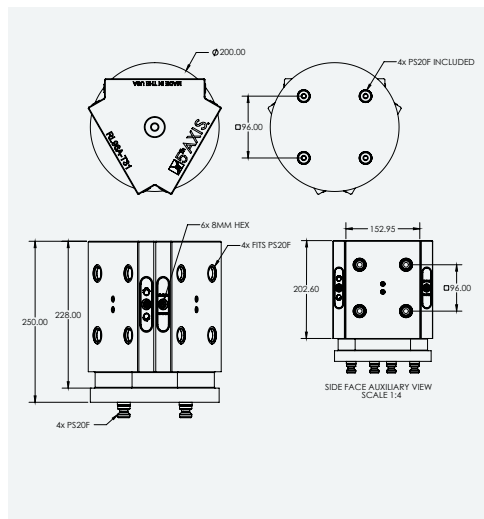
3-Sided Integrated RockLock™ Tombstone (96mm)

2.839,00 EUR



Size: Ø 200mm x 250mm
Material Construction: Aluminum
Mounting: 96mm RockLock™, includes 4x PS20F pull studs
of Positions: 3 total, 1 per side
Weight: 16,7 kg

Constructed with aerospace-grade aluminum, the RockLock base embodies the perfect blend of versatility and robust durability. Its industry standard 96mm pull stud spacing ensures a seamless fit into your machining setup, reducing unnecessary bulk while maximizing workspace efficiency.



MT-4004A

400mm Four-Sided Machinable Tombstone, Aluminum

1.999,00 EUR



Size: 230mm x 230mm x 600mm

Base: 400mm x 400mm

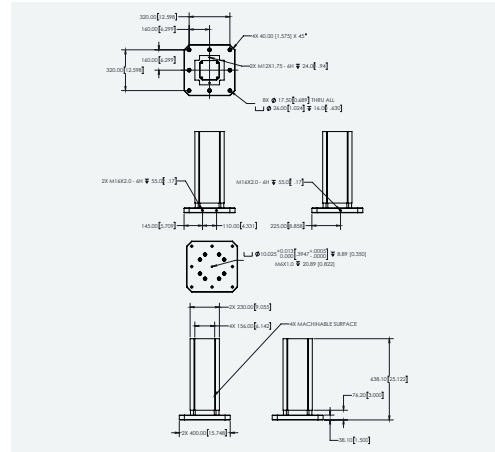
Material Construction: Aluminum

Mounting: Machinable

Weight: 71 kg

Weight w/ Freight: 99 kg

We set out to create the worlds most robust and competitively priced 400mm machinable aluminum tombstone.



MT-5004A

500mm Four-Sided Machinable Tombstone, Aluminum

1.999,00 EUR



Size: 230mm x 230mm x 600mm

Base: 500mm x 500mm

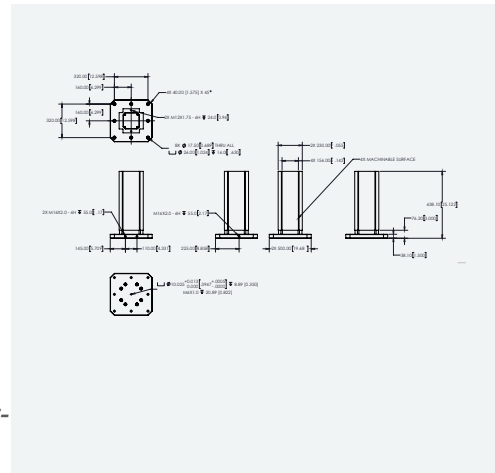
Material Construction: Aluminum

Mounting: Machinable

Weight: 79 kg

Weight w/ Freight: 130 kg

The MT-5004A is designed to be one of the most robust and competitively priced 500mm machinable aluminum tombstones in the world. This tombstone provides a sturdy and cost-effective solution for your machining needs.



RL96S-4004

400mm Four-Sided RockLock™ Tombstone, 96mm Cast Iron

9.995,00 EUR



Size: 230mm x 230mm x 600mm

Material Construction: Cast Iron

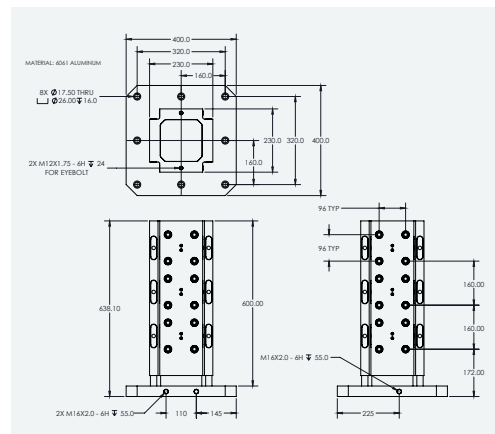
Mounting: 80mm grid/ 100mm grid

of Positions: 12 total, 3 per side

Weight: 181 kg

Weight w/ Freight: 231 kg

Enhance your machining efficiency with our robust four-sided 400mm CNC tombstone.



RL52S-4004

400mm Four-Sided RockLock™ Tombstone, 52mm Cast Iron Tombstone

7.995,00 EUR



Size: 230mm x 230mm x 600mm

Material Construction: Cast Iron

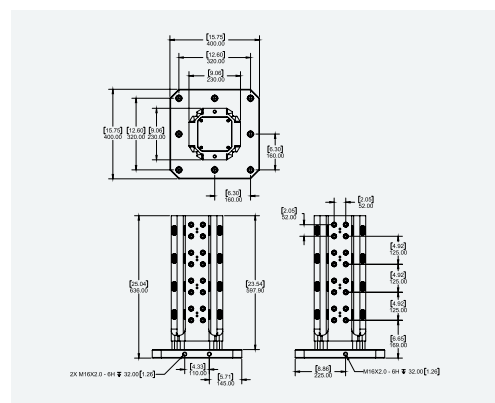
Mounting: 80mm grid/ 100mm grid

of Positions: 12 total, 3 per side

Weight: 181 kg

Weight w/ Freight: 231 kg

Enhance your machining efficiency with our robust four-sided 400mm CNC tombstone.



R96-V75100T4

1.629,00 EUR



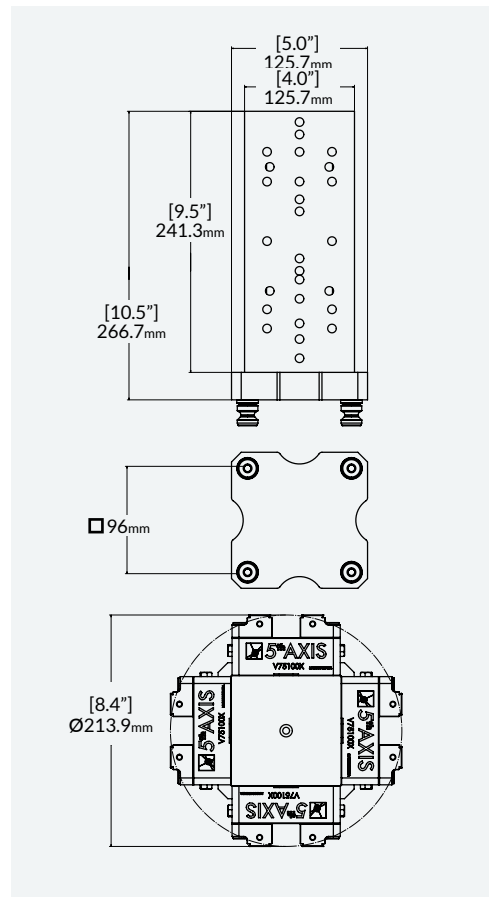
*Vises sold separately

Size: 125.7mm x 125.7mm x 266.7mm

Mounting: RockLock PS20F

Material Construction:
Aluminum (RL96A-V75100T4)

The R96-V75100T4 is an ultra compact mini tombstone designed to work with smaller 4 and 5 Axis machines. The goal was to create a 4 sided tombstone to increase productivity while maintaining a compact footprint. The tombstone is built for the V75100X self-centering vise (see page 45). The nested bolt pattern allows for the vises to be mounted vertically or rotated horizontally. The entire tombstone will quick change onto any 96mm RockLock base plates. With a maximum of 12 vises on the tombstone, the machine can run unattended. This minimizes tool changes and frees operators up to run multiple machines. Includes 4x PS20F. Repeatability of +/- 8 µm.



R96-V75XT4

1.629,00 EUR



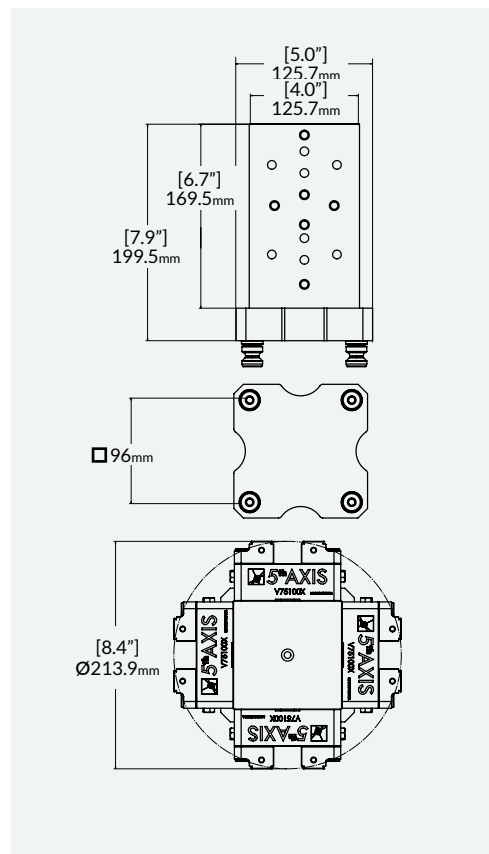
*Vises sold separately

Size: 125.7mm x 125.7mm x 200mm

Mounting: RockLock PS20F

Material Construction:
Aluminum (RL96A-V75XT4)

The R96-V75XT4 is a mini tombstone designed to work with smaller 4 and 5 Axis machines. The goal was to create a 4 sided tombstone to increase productivity while maintaining a compact footprint. This tombstone can accommodate the following self-centering vises: V75100X and V75150X (see page 45). It will also fit the DV75150X double station vise (see page 39). The entire tombstone will quick change on any 96mm RockLock base plates. With a maximum of 8 vises on the tombstone, the machine can run unattended. This minimizes tool changes and frees operators up to run multiple machines. Includes 4x PS20F. Repeatability of +/- 8 µm.



R96-D115T41

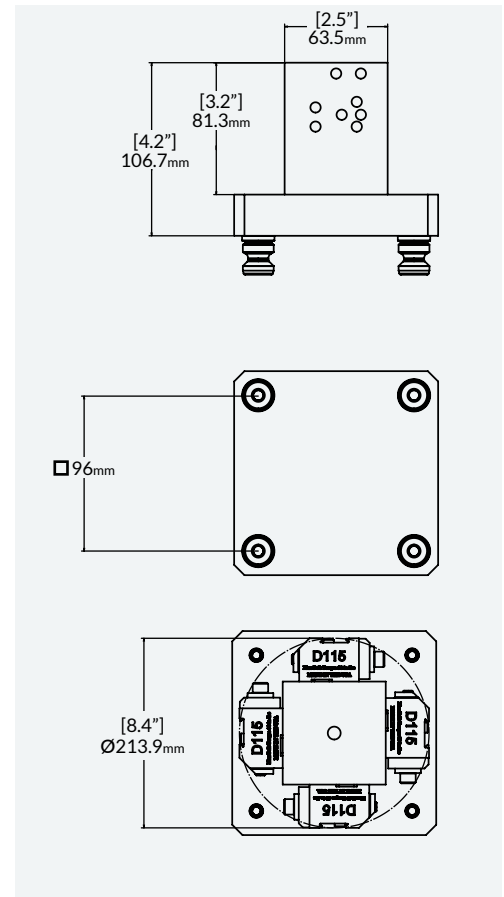
589,00 EUR



Size: 125mm x 125mm x 106.7mm
Spacing: RockLock PS20F

Built for small or medium rotaries. Able to utilize quantity 4 D115 dovetail fixtures in order to maximize part density allowing minimal interference. Quantity 4 PS20F Pull studs are included.

Repeatability of +/- 8 µm.



96mm RockLock



*Fixtures sold separately

RL96A-P320

3.499,00 EUR

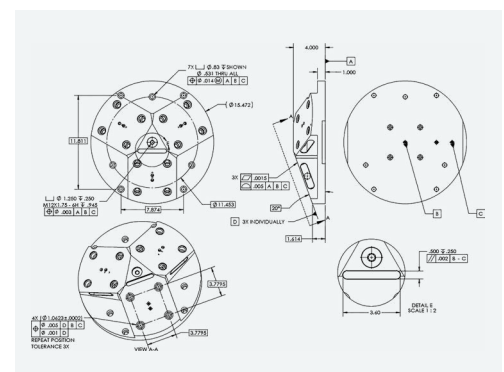


Integrated RockLock Pyramid

Size: 15" diameter x 4" overall height

Weight: 21,3 kg

RL96A-P320 Pyramids – a cutting-edge solution designed for seamless compatibility with 96mm RockLock top tooling, elevating the versatility of your machining setup.





PS20F

31,00 EUR

PULL STUD

Size: 96mm Pull Studs

Material Construction: S7 Tool Steel

The PS20F is required to use any 5th Axis 96mm base. The 96mm spacing allows for compatibility with other systems.

**Please note that pull studs must stay with the corresponding company's base plate. If you are using a 5th Axis 96mm RockLock base plate you will need 5th Axis pull studs (PS20F). The spacing and thread allows for the top tooling to be interchangeable between the different systems.*



PS20F-PY

52,00 EUR

SINGLE PULL STUD WITH POKA-YOKE INSERT

Size: 96mm Pull Studs

Material Construction: S7 Tool Steel

Poka-yoke is a Japanese term that means "mistake-proofing". The PS20F-PY is a single modified pull stud with an aluminum ring. The ring is placed inside one of the locating holes in the RockLock base, allowing for only the single poka-yoke pull stud to fit inside the locating hole with the corresponding ring. This will prevent operators from changing the orientation and misloading a part.



PS20F-4PY

148,00 EUR

PULL STUDS WITH POKA-YOKE INSERT

Size: 96mm Pull Studs

Material Construction: S7 Tool Steel

3x Standard PS20F Pull Studs and one Poka-Yoke (PS20F-PY).



R96-BLANK

319,00 EUR

Size: 96mm Pull Studs
Material Construction: 6061 Aluminum

Blank 6061 aluminum block with quantity 4 PS20F pull studs included. Quickly build your own fixture or subplate with the R96-Blank.

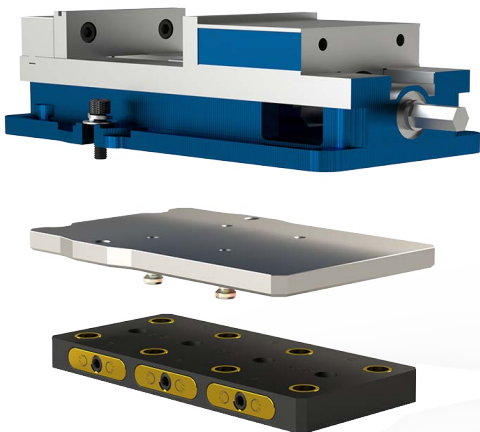


RL96-MP

489,00 EUR

Size: 96mm Pull Studs
Material Construction: Steel

Mount the RockLock base onto the machine, drop in the master pallet, dial in your setup, and torque your mounting bolts once you have reached the desired location. This is the fastest, most accurate way to set up the RockLock system. See page 33 for more info.



RL96-KD688*

239,00 EUR

RL96-KDX6*

239,00 EUR

Size: RL96-KD688: 13" x 8.25" x .78"
 RL96-KDX6: 13" x 6.92" x .78"

Material Construction:
 Aluminum (RL96-KD688)
 Aluminum (RL96-KDX6)



The RL96-KD688 is built to upgrade your Kurt D-series 6" vise to the RockLock quick-change system. Never indicate your Kurt vise in again! Simply bolt your Kurt vise onto the adapter and you will be off and running. Part number includes adapter + 4x PS20F pull studs.

The RL96-KDX6 is built for the newer style DX6 crossover vise. Upgrade your new Kurt DX6 to RockLock quick-change system from 5th Axis. Part number includes adapter quantity 4 PS20F pull studs.

*Vise and RockLock base sold separately



Pallet Solutions

5th Axis Workholding products are designed to adapt to automated systems increasing throughput. Create profitability through efficiency.

Automation

EROWA
system solutions
SOLUTIONS



148mm



320mm



400mm



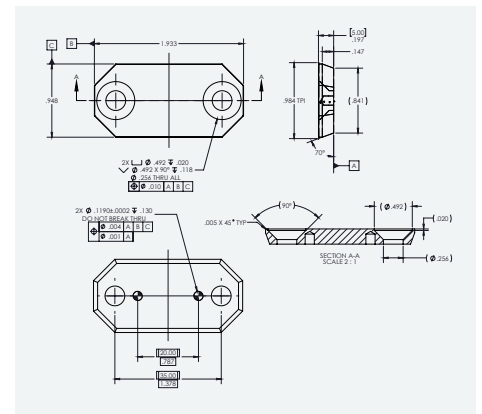
AS-96

96mm Custom Gripper

1.899,00 EUR

Automation Solutions, Gripper Assembly, 96mm

industrial robot automation.



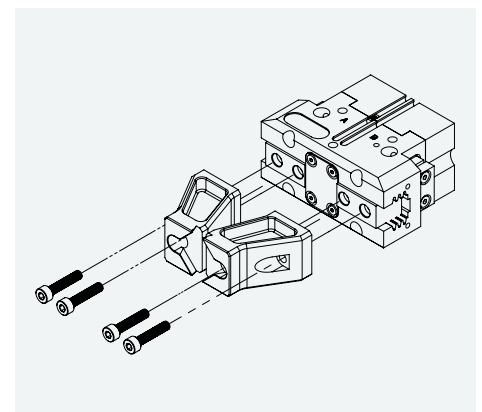
AG-12

52mm Custom Gripper

1.699,00 EUR

Automation Solutions, Gripper Assembly, 52mm

industrial robot automation.



Automation Solutions



Available in 52mm and 96mm Pull Stud Spacing



Clamp / Unclamp Confirmation



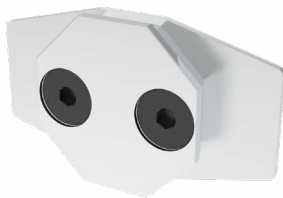
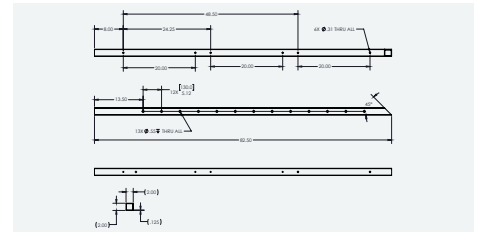
Steel Locating Features



AS-RS Automation Rack Shelf

800,00 EUR

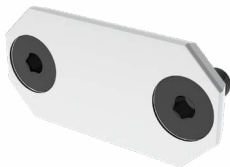
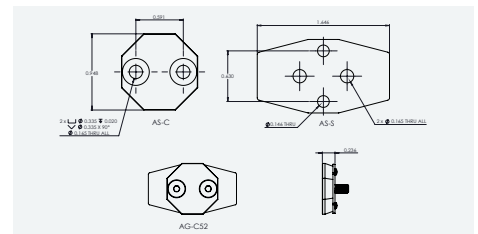
Single Shelf for Automation Racks.



AG-C 52mm Low Profile Cleat

42,00 EUR

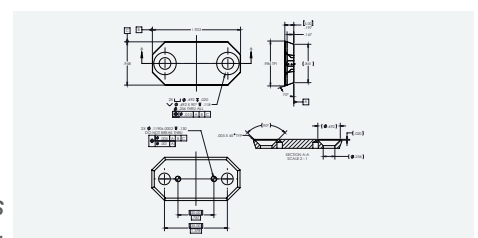
Our innovative cleat design simplifies and secures the movement of tooling using robotic systems.



AS-C96 96mm Low Profile Cleat

52,00 EUR

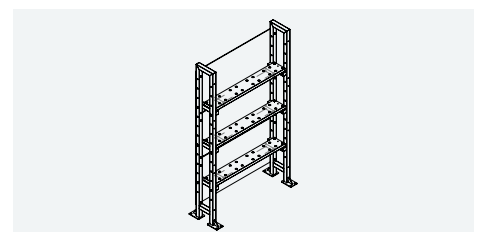
Our innovative cleat design simplifies and secures the movement of tooling using robotic systems.



AS-R3 Single Rack & Shelf Kit

4.900,00 EUR

Single Rack & Shelf Kit with 3-shelf assembly.



Automation

RL52P-66B

3.999,00 EUR

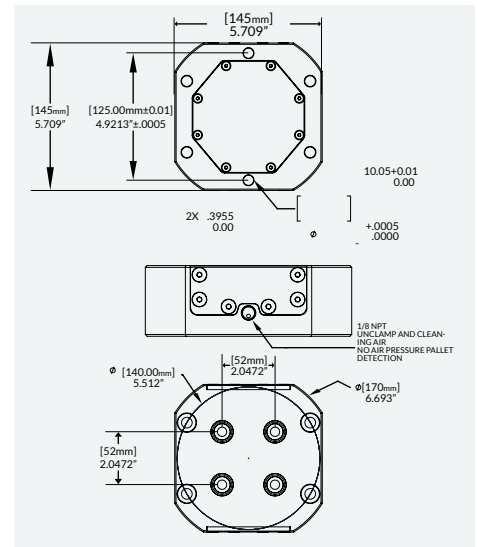


The RL52P-66B is a 52mm pneumatic RockLock unit.

Working pressure range:
80 PSI (.55 MPa) MIN /
120 PSI (.83 MPa) MAX

Side-Port

- 52mm pull stud spacing
- Air to open / spring to close
- Built for manual operation
- 1 port for clamp / unclamp
- No cleaning air / clamp confirmation



Automation

RL52P-66A Bottom-Port

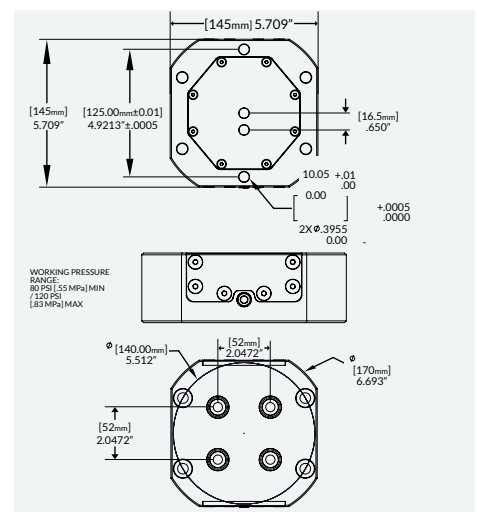
3.999,00 EUR



The RL52P-66A is a 52mm pneumatic RockLock unit that uses air to open and spring to close.

Working pressure range:
80 PSI (.55 MPa) MIN /
120 PSI (.83 MPa) MAX

- 52mm pull stud spacing
- Air to open / spring to close
- Built for automation applications
- 1 port for clamp / unclamp
- 1 port for cleaning / clamp confirmation



RL96P-67B Side-Port

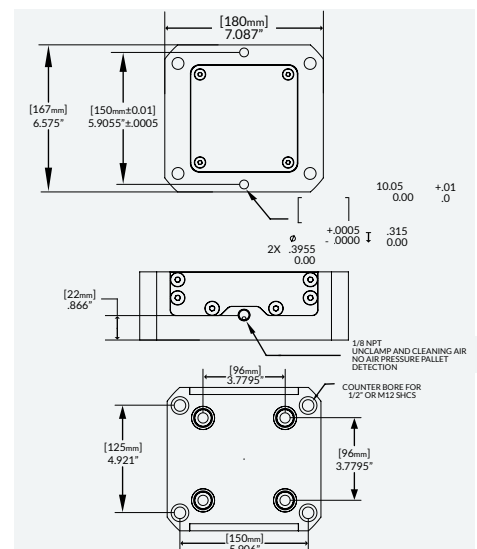
4.499,00 EUR



The RL96P-67B is a 96mm pneumatic RockLock unit.

Working pressure range:
80 PSI (.55 MPa) MIN /
130 PSI (.86 MPa) MAX

- 96mm pull stud spacing
- Air to open / spring to close
- Built for manual operation
- 1 port for clamp / unclamp
- No cleaning air / clamp confirmation



RL96P-67A

4.499,00 EUR

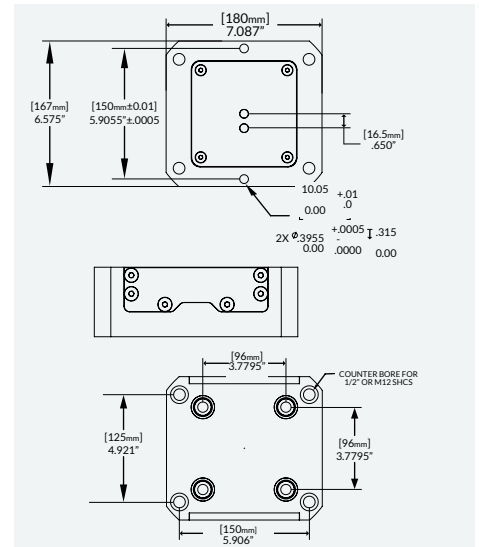


The RL96P-67A is a 96mm pneumatic RockLock unit that uses air to open and spring to close.

Working pressure range:
80 PSI (.55 MPa) MIN /
130 PSI (.86 MPa) MAX

Bottom Port

- 96mm pull stud spacing
- Air to open / spring to close
- Built for automation applications
- 1 port for clamp / unclamp
- 1 port for cleaning / clamp confirmation



RL52E-66

5.499,00 EUR

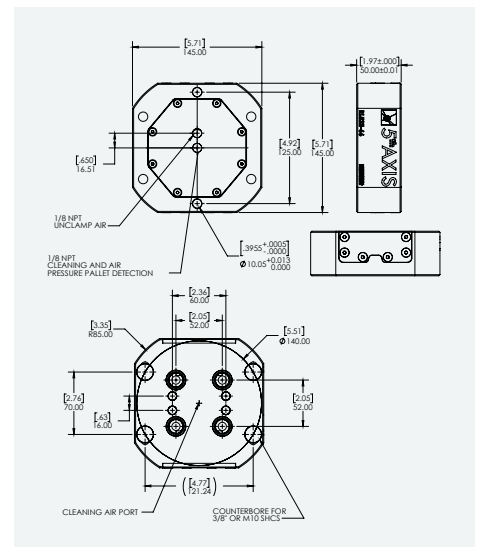


The RL52E-66 is a 52mm pneumatic RockLock unit that uses air to open and spring to close.

Working pressure range:
80 PSI (.55 MPa) MIN /
130 PSI (.86 MPa) MAX

Bottom Port

- 52mm pull stud spacing
- Air to open / spring to close
- Built for automation applications
- 1 port for clamp / unclamp
- 1 port for cleaning / clamp confirmation



RL96E-67

5.999,00 EUR

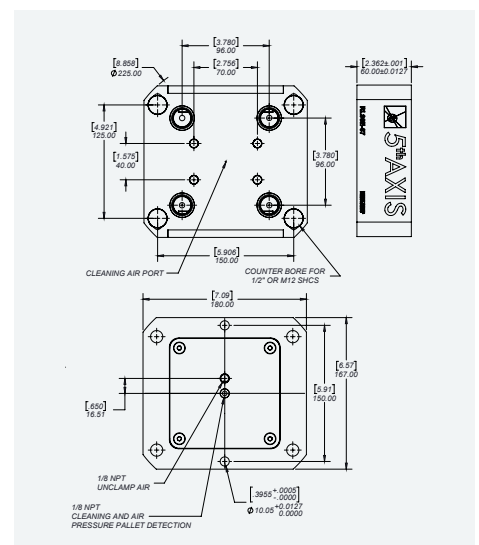


The RL96E-67 is a 96mm pneumatic Chuck with Ejectors RockLock™ unit that uses air to open and spring to close.

Working pressure range:
80 PSI (.55 MPa) MIN /
130 PSI (.86 MPa) MAX

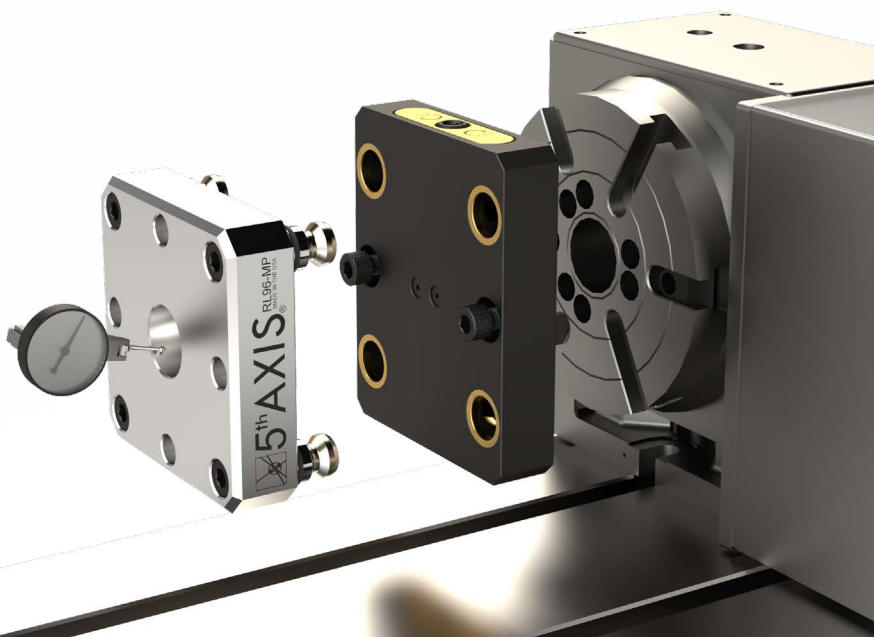
Bottom Port

- 96mm pull stud spacing
- Air to open / spring to close
- Built for automation applications
- 1 port for clamp / unclamp
- 1 port for cleaning / clamp confirmation



Master Alignment Pallet

Master Pallet



Available in 96mm and 52mm



Ensures RockLock repeatability less than 8 μm



Precision milled and press fit pull studs*



One Master Pallet for all your RockLock systems

Guarantees accuracy of the RockLock system. The Master Pallets are used to set up 52mm and 96mm RockLock systems.

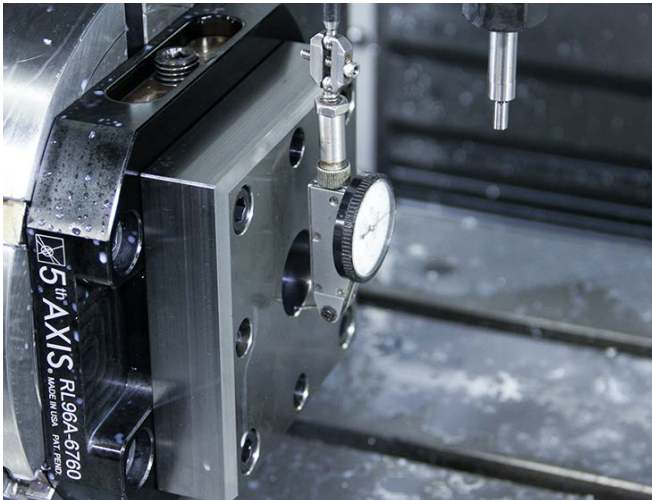
Mount the RockLock base onto the machine, drop in the Master Pallet, dial in your setup, and torque your mounting bolts once you have reached the desired location.

Master Pallet will only be used on the initial setup or if you move the setup from one machine to another. This is the fastest, most accurate way to set up the RockLock system.

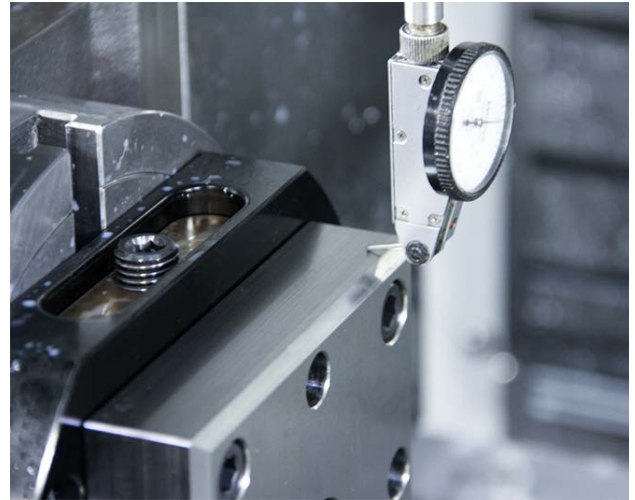
*Do not remove pull studs.

**Instructional video provided on our website.

***CMM report provided with purchase of Master Pallet.



Precision center bore allows for indication of rotation.



Precision milled sides allow for indication of center line.

Master Pallets

Part Number	RL52-MP	RL96-MP
Size	75mm x 75mm x 25.4mm	125.73mm x 125.73mm x 30.48mm
Mounting	RockLock PS16F Pull Studs Included	RockLock PS20F Pull Studs Included
Materials	Steel	Steel

Double Station Vises

BUILT FOR 3-AXIS



Convert from double station to single position fixed jaw*

Quickly change jaws / convert to soft jaws

Compact footprint maximizes table space

Not a self-centering vise

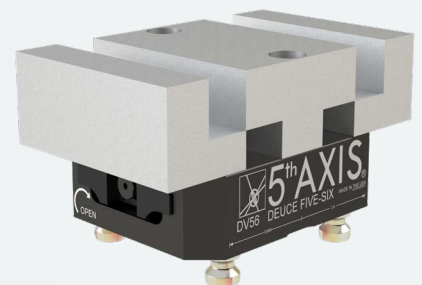
Double Station



Double Station



Single Station Fixed Jaw



Machinable Jaws

*Only applies to DV56 and DV510

Quickly Convert From Double To Single Fixed Station*



Double Station

This configuration utilizes the center portion as the fixed position.



Independent Movement

Each jaw moves independently. This allows for stock of different sizes and ensures proper clamping.



Reversible Jaw

Jaws can quickly and easily be reversed for increased clamping range.



Removing Center Jaw

The center jaw is bolted through the base and held in position with precision bushings.



Shoulder Bolts Lock Back Jaw

The vise base has two precision bores that allow for shoulder bolts to lock the back jaw when switching to a single station.

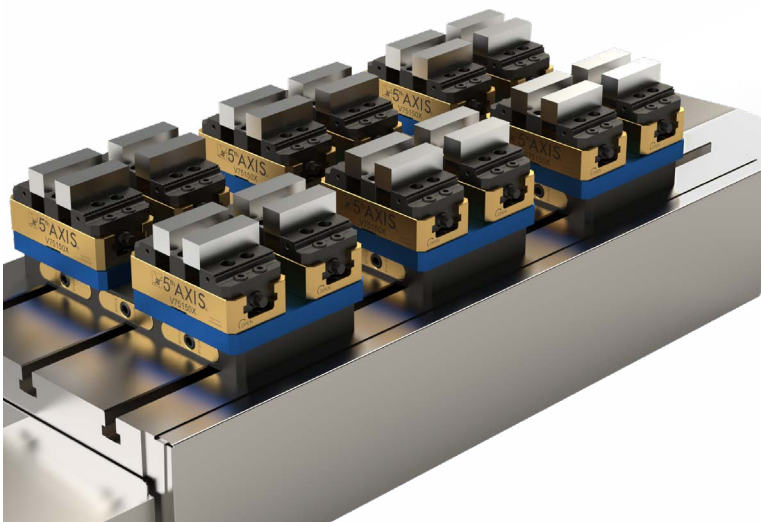


Fixed Jaw*

In this configuration the vise operates like any traditional machine vise.
*DV56 and DV510 only

Maximize Your Table Space





Double Station



*Only applies to DV56 and DV510

Double Station Vises

Master Hard Jaws


Part Number	DV75150X-J1	DV56-J1	DV510-J1	DV510-J4
				
Size	75mm x 150mm x 56mm	125.7mm x 152.4mm x 72.9mm	125.7mm x 258.3mm x 73.4mm	125.7mm x 258.3mm x 73.4mm
Jaw Type	Hardened Steel 3 Piece Master Jaw Set Serrated / 45° Dovetail	Hardened Steel 3 Piece Master Jaw Set Serrated / 45° Dovetail	Hardened Steel 3 Piece Master Jaw Set with 2" Center Serrated / 45° Dovetail	Hardened Steel 3 Piece Master Jaw Set with 1" Center Serrated / 45° Dovetail
Jaw Width	75mm	125.7mm	125.7mm	125.7mm
Clamping Force	13.5 kN @ 60 Nm	20.0 kN @ 75 Nm	20.0 kN @ 75 Nm	20.0 kN @ 75 Nm
Max Torque	60 Nm	75 Nm	75 Nm	75 Nm
Forward Clamping Range	0 - 37.02mm	0 - 28.5mm	0 - 66.7mm	0 - 79.4mm
Reverse Clamping Range	17.26mm - 55.02mm	31.0mm - 64.2mm	30.9mm - 102.3mm	30.9mm - 115mm
Single Station Forward Clamping Range	N/A	0 - 75.9mm	0 - 177.5mm	0 - 177.5mm
Single Station Reverse Clamping Range	N/A	56.8mm - 147.3mm	56.8mm - 248.7mm	56.8mm - 248.7mm

Double Station



DV75150X-J1 shown on the RL96A-3613S1 base plate

Aluminum Jaws

Part Number	DV75150X-J2	DV56-J2	DV510-J2
			
Size	75mm x 150mm x 64.1mm	125.7mm x 152.4mm x 89mm	125.7mm x 258.3mm x 88.5mm
Jaw Type	6061 Aluminum Machinable Jaw Set	6061 Aluminum Machinable Jaw Set	6061 Aluminum Machinable Jaw Set
Jaw Width	75mm	125.7mm	125.7mm
Clamping Force	13.5 kN @ 60 Nm	20.0 kN @ 75 Nm	20.0 kN @ 75 Nm
Max Torque	60 Nm	75 Nm	75 Nm

Steel Jaws

Part Number	DV75150X-J3	DV56-J3	DV510-J3
			
Size	75mm x 150mm x 64.1mm	125.7mm x 152.4mm x 89mm	125.7mm x 258.3mm x 88.5mm
Jaw Type	1018 Steel Machinable Jaw Set	1018 Steel Machinable Jaw Set	1018 Steel Machinable Jaw Set
Jaw Width	75mm	125.7mm	125.7mm
Clamping Force	13.5 kN @ 60 Nm	20.0 kN @ 75 Nm	20.0 kN @ 75 Nm
Max Torque	60 Nm	75 Nm	75 Nm

Double Station Vises

DV75150X-J1 Master Hard Jaws

1.358,00 EUR



Size: 75mm x 150mm x 56.1mm

Jaw Set Material:

Hardened Steel 3 Piece Master Jaw Set

with Serrated / 45° Dovetail

Jaw Width: 75mm

Clamping Force: 13.5 kN @ 60 Nm

Max Torque: 60 Nm

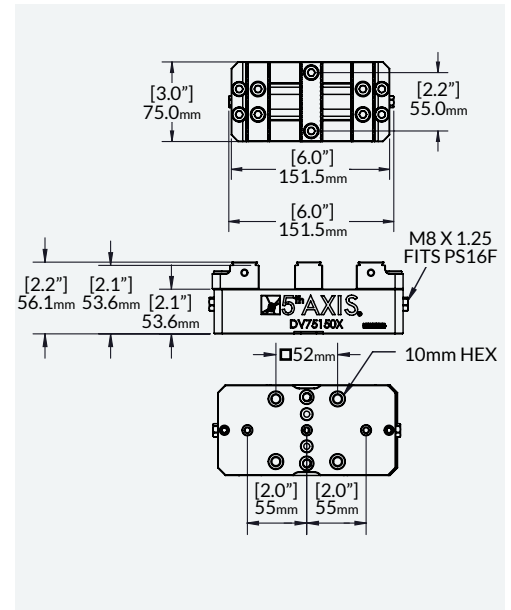
Forward Clamping Range:

0-37.02mm

Reverse Clamping Range: 17.23 - 55.02mm

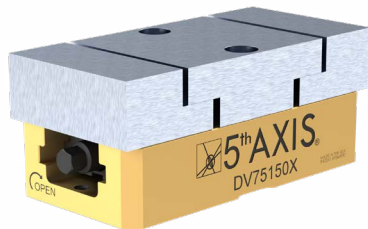
Double station vise with serrated and dovetail master jaws. Perfect for making parts that are less than 55mm x 75mm.

Cannot be used in single station configuration



DV75150X-J2 Aluminum Jaws

1.098,00 EUR



Size: 75mm x 150mm x 56.1mm

Jaw Set Material:

6061 Aluminum Machinable Jaw Set

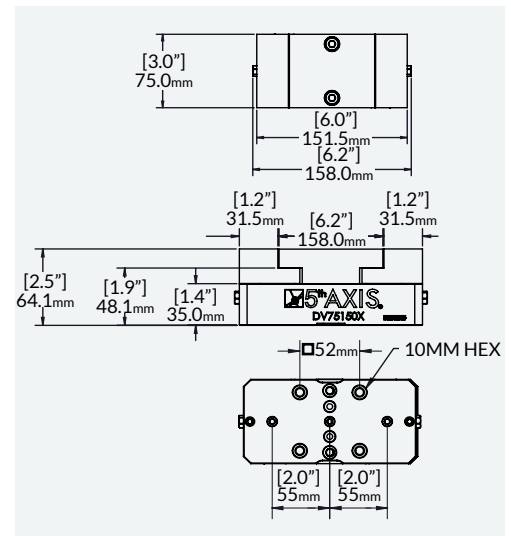
Jaw Width: 75mm

Clamping Force: 13.5 kN @ 60 Nm

Max Torque: 60 Nm

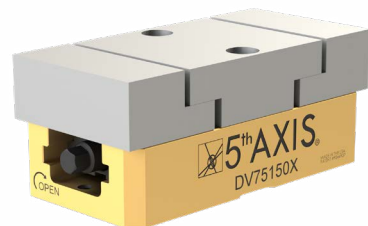
Double station vise with 6061 aluminum machinable jaws. Perfect for secondary operation work.

Cannot be used in single station configuration



DV75150X-J3 Steel Jaws

1.198,00 EUR



Size: 75mm x 150mm x 56.1mm

Jaw Set Material:

1018 Steel Machinable Jaw Set

Jaw Width: 75mm

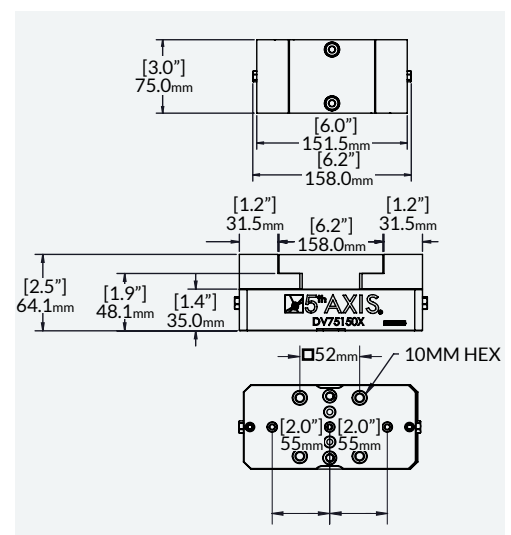
Clamping Force: 13.5 kN @ 60 Nm

Nm

Max Torque: 60 Nm

Double station vise with 1018 steel machinable jaws. Perfect for secondary operation work.

Cannot be used in single station configuration



Double Station

DV56-J1 Master Hard Jaws

1.488,00 EUR



Quickly convert the DV56-J1 from a double station to a fixed single jaw vise. Perfect for parts smaller than 64.2mm x 125.7mm.

Size: 125.7mm x 152.4mm x 72.9mm

Jaw Set Material:

Hardened Steel 3 Piece Master Jaw Set with Serrated / 45° Dovetail

Jaw Width: 75mm

Max Torque: 75 Nm

Forward Clamping Range: 0 - 28.5mm

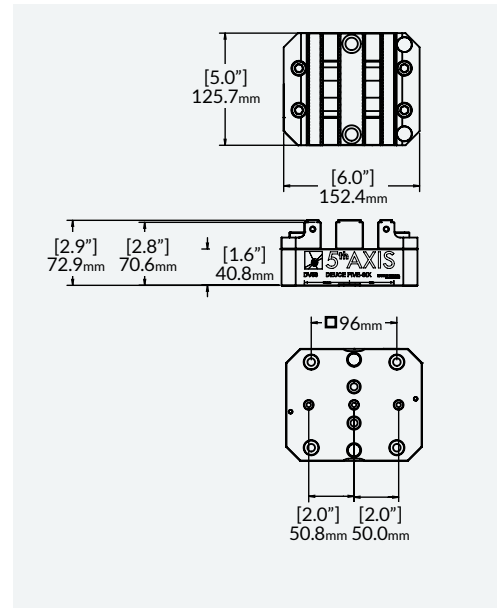
Reverse Clamping Range: 31mm - 64.2mm

Fixed Jaw Forward Clamping Range:

0 - 75.9mm

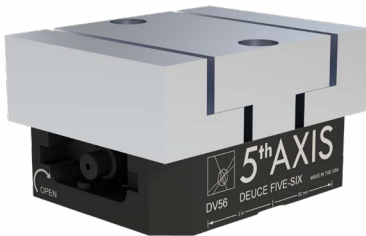
Fixed Jaw Reverse Clamping Range:

56.8 - 147.3mm



DV56-J2 Aluminum Jaws

1.148,00 EUR



Size: 125.7mm x 152.4mm x 89mm

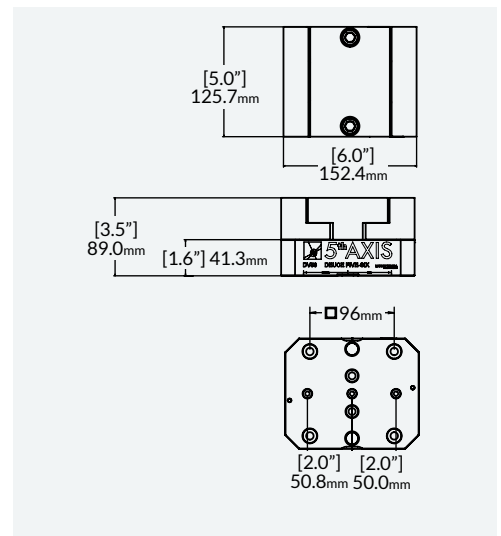
Jaw Set Material:

6061 Aluminum Machinable Jaw Set

Jaw Width: 75mm

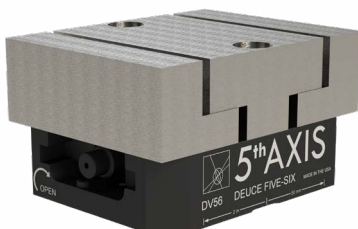
Max Torque: 75 Nm

Double station vise with 6061 aluminum machinable jaws. Perfect for secondary operation work.



DV56-J3 Steel Jaws

1.288,00 EUR



Size: 125.7mm x 152.4mm x 89mm

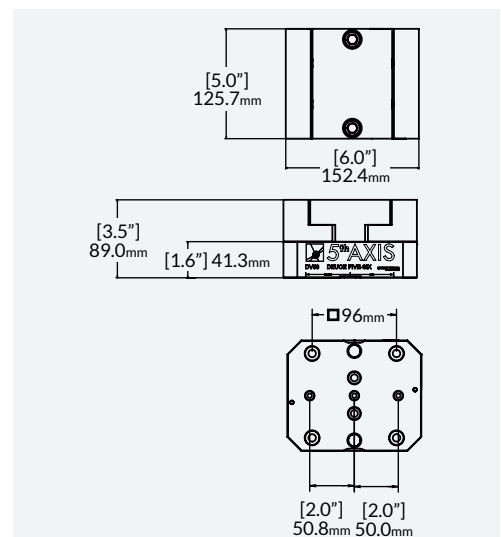
Jaw Set Material:

1018 Steel Machinable Jaw Set

Jaw Width: 75mm

Max Torque: 75 Nm

Double station vise with 1018 steel machinable jaws. Perfect for secondary operation work.



Double Station

Double Station Vises

DV510-J1 Master Hard Jaws

1.679,00 EUR



Size: 125.7mm x 258.3mm x 73.4mm

Jaw Set Material:

Hardened Steel 3 Piece Master Jaw Set with 2" Center and Serrated / 45° Dovetail Jaws

Jaw Width: 125.7mm

Max Torque: 75 Nm

Forward Clamping Range:

0 - 66.7mm

Reverse Clamping Range:

30.9mm - 102.3mm

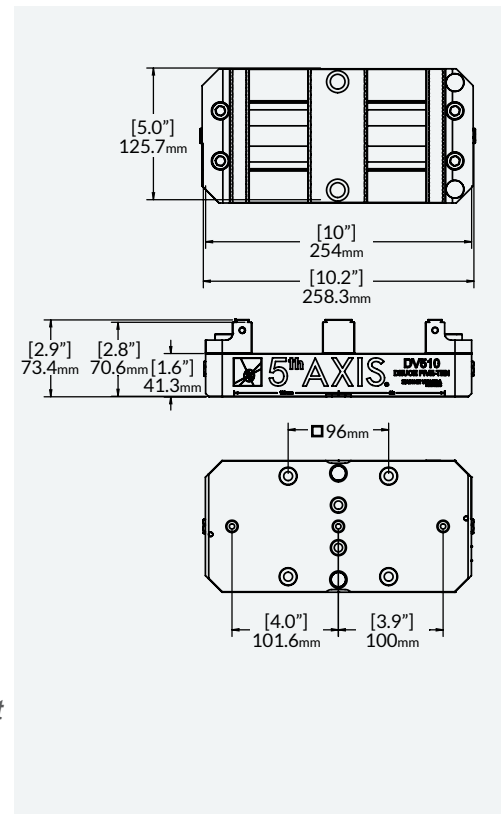
Fixed Jaw Forward Clamping Range:

0 - 177.5mm

Fixed Jaw Reverse Clamping Range:

56.8mm - 248.7mm

Double station vise that converts to a fixed jaw vise. 3 piece hard jaw set with a 2" center, serrations, and 45° dovetail master jaw.



Double Station

DV510-J4 Master Hard Jaws

1.629,00 EUR



Size: 125.7mm x 258.3mm x 73.4mm

Jaw Set Material:

Hardened Steel 3 Piece Master Jaw Set with 1" Center and Serrated / 45° Dovetail Jaws

Jaw Width: 125.7mm

Max Torque: 75 Nm

Forward Clamping Range:

0 - 79.4mm

Reverse Clamping Range:

30.9mm - 115mm

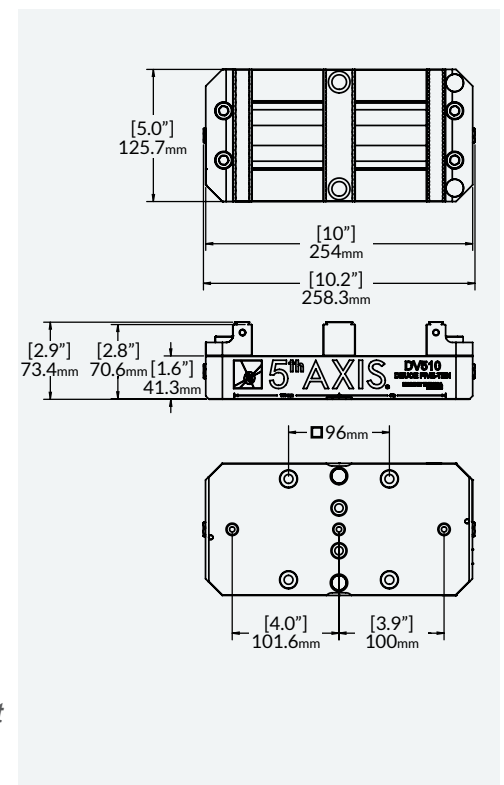
Fixed Jaw Forward Clamping Range:

0 - 177.5mm

Fixed Jaw Reverse Clamping Range:

56.8mm - 248.7mm

Double station vise that converts to a fixed jaw vise. 3 piece hard jaw set with a 1" center, serrations, and 45° dovetail master jaw.



DV510-J2 Aluminum Jaws

1.319,00 EUR



Size: 125.7mm x 258.3mm x 88.5mm

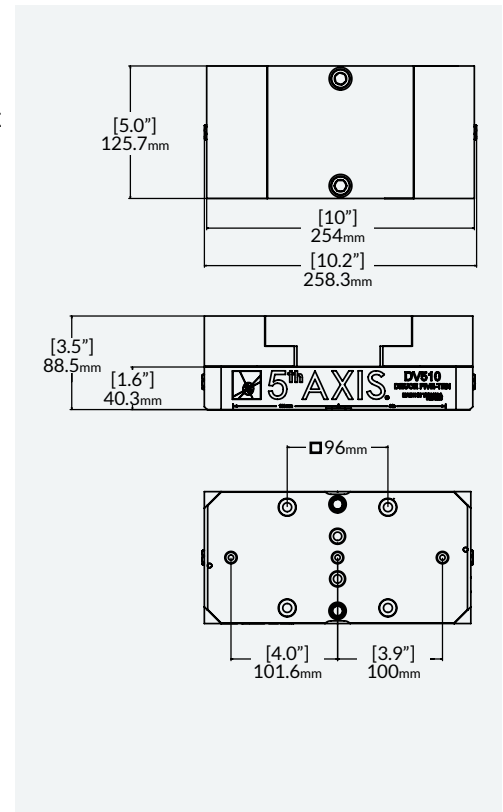
Jaw Set Material:

6061 Aluminum Machinable Jaw Set

Jaw Width: 125.7mm

Max Torque: 75 Nm

Double station vise with 6061 aluminum machinable jaws. Perfect for secondary operation work



DV510-J3 Steel Jaws

1.499,00 EUR



Size: 125.7mm x 258.3mm x 88.5mm

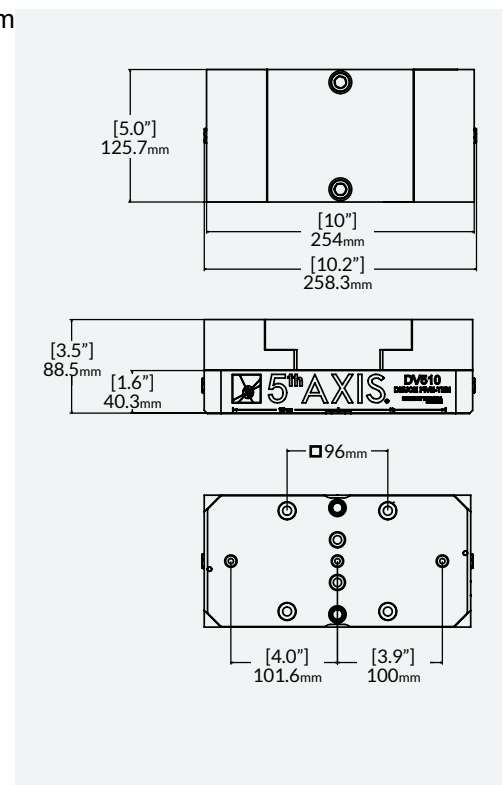
Jaw Set Material:

1018 Steel Machinable Jaw Set

Jaw Width: 125.7mm

Max Torque: 75 Nm

Double station vise with 1018 steel machinable jaws. Perfect for secondary operation work

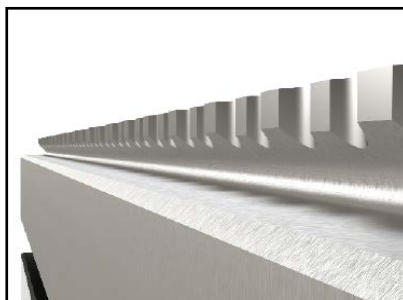


Double Station

Self-Centering Vises



Built in 45° dovetail can be utilized for increased clamping force



Serrated gripper teeth for superior bite into soft material



Quick change jaws without disassembling vise

30% more clamping force
with new X-series vises



Pre-drilled for pull studs

Hardened steel

+/- 0.0127mm on center

Large leadscrew

Jaws are easy to remove

Easy mounting to machine

Self-Centering Vises

Part Number	V75100X	V75150X
		
Size	75mm x 100mm x 56mm	75mm x 150mm x 56mm
Jaw Width	75mm	75mm
Clamping Force	22.2 kN @ 60 Nm	22.2 kN @ 60 Nm
Max Torque	61 Nm	61 Nm
Forward Clamping Range	0 - 43.6mm	0 - 94.1mm
Reverse Clamping Range	38.5mm - 76.3mm	38.5mm - 128.8mm

Part Number	V562X	V510X
		
Size	125.7mm x 152.4mm x 73.6mm	125.7mm x 254mm x 73.6mm
Jaw Width	125.7mm	126mm
Clamping Force	25.1 kN @ 75 Nm	25.1 kN @ 75 Nm
Max Torque	75 Nm	75 Nm
Forward Clamping Range	0 - 78.0mm	0 - 184.7mm
Reverse Clamping Range	60.3mm - 128.0mm	60.3mm - 234.7mm

Self-Centering Vises - Metric

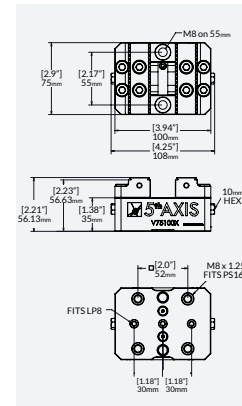
V75100X

1.049,00 EUR



Size: 75mm x 100mm x 56mm
Jaw Width: 75mm
Forward Jaws Clamping Range:
 0 - 43.6mm
Reverse Jaws Clamping Range:
 38.5mm - 76.3mm
Clamping Force: 13.5 kN @ 60 Nm

The V75100X is the most recent revision of our V75100 vise. Now equipped with 4 bolt jaw mounting to reduce jaw lift providing robust clamping and sharper teeth for a better bite.



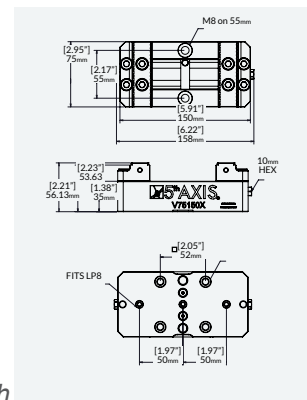
V75150X

1.150,00 EUR



Size: 75mm x 150mm x 56mm
Jaw Width: 75mm
Forward Jaws Clamping Range:
 0 - 92.8mm
Reverse Jaws Clamping Range:
 38.5mm - 128.8mm
Clamping Force: 13.5 kN @ 60 Nm

The V75150X was created out of customer demand for a small self-centering vise with an increased clamping range over the popular V75100X vise. The base is 50mm longer than the standard V75100X, allowing the max workpiece size to increase from 76mm to 128mm. The new 4 bolt jaw mounting design reduces jaw lift and the sharper teeth provide a superior bite in raw material.



V562X

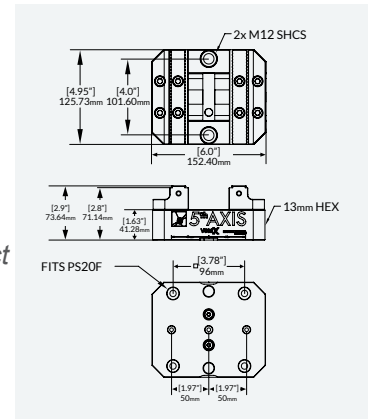
1.469,00 EUR



Size: 125.7mm x 152.4mm x 73.6mm
Jaw Width: 125.7mm
Forward Jaws Clamping Range:
 0 - 78.0mm
Reverse Jaws Clamping Range:
 60.3mm - 128.0mm
Clamping Force: 25.1 kN @ 75 Nm
Torque Vise Assembly: 75 Nm

The V562X is the updated version of the best selling self-centering vise in the product line (V562M). The new model features 30% more clamping force due to the updated 4 jaw mounted bolts keyed jaw and truck.

The V562X is built from heat treated 4100 series steel and is precision ground and hard milled to ensure accuracy and repeatability.



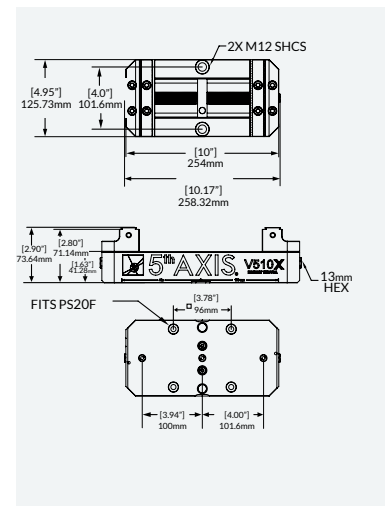
V510X

1.789,00 EUR



Size: 125.7mm x 254mm x 73.6mm
Jaw Width: 125.7mm
Forward Jaws Clamping Range:
 0 - 184.7mm
Reverse Jaws Clamping Range:
 60.3mm - 234.7mm
Clamping Force: 25.1 kN @ 75 Nm
Torque Vise Assembly: 75 Nm

The V510X has all of the robust features of the V562X including the added clamping range. The V510X is a perfect fit for shops looking for a small footprint vise with a larger clamping range. The V510X is built from hardened and ground 4100 series steel to ensure accuracy and repeatability.



Self-Centering Vises

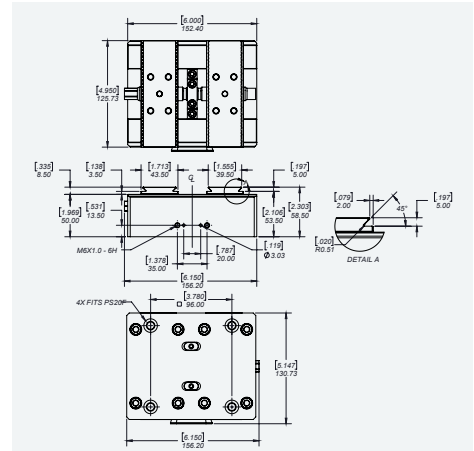
LITEVISE VA56

729,00 EUR



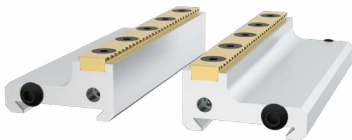
Size: 152mm x 125mm x 50mm
Jaw Width: 125mm
Clamping Force: 22.2 kn @ 61 Nm
Max Torque: 61 Nm
Clamping Range - Lower Gripper Jaws: 9,53mm - 76,20mm
Clamping Range - Master Tall Gripper Jaws: 9,53mm - 133,35mm
Weight: 4,5 kg

Are you ready to elevate your CNC machining operations with unparalleled precision and efficiency? Meet LiteVise, the game-changing lightweight automation vise designed to optimize your workflow and deliver exceptional results.

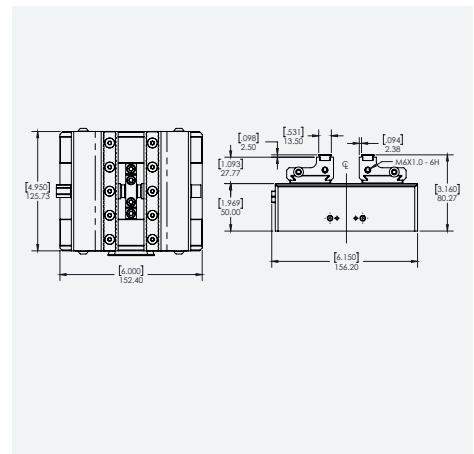


VGA-VA5 Aluminum Master Gripper Jaw Set

200,00 EUR



Crafted from billet aluminum, these machinable jaws are built to withstand the rigors of daily use in a variety of industrial and manufacturing environments. Their robust construction ensures a long lifespan, providing you with reliable performance and reduced maintenance costs over time. The gripper strips are built from hardened steel and TiN coated for longevity.



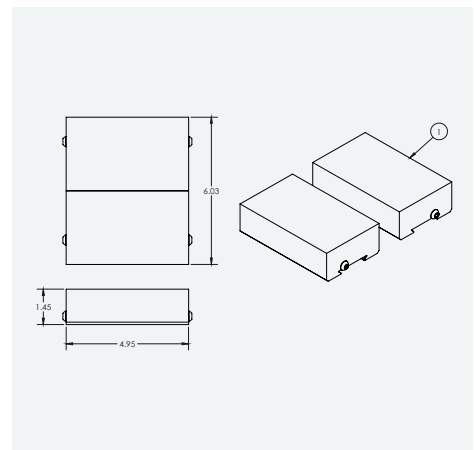
Self-Centering

VAJ-VA5 Aluminum Soft Jaw Set

100,00 EUR



Crafted from billet aluminum, these machinable jaws are built to withstand the rigors of daily use in a variety of industrial and manufacturing environments. Their robust construction ensures a long lifespan, providing you with reliable performance and reduced maintenance costs over time.



Double station - Self-Centering Vises

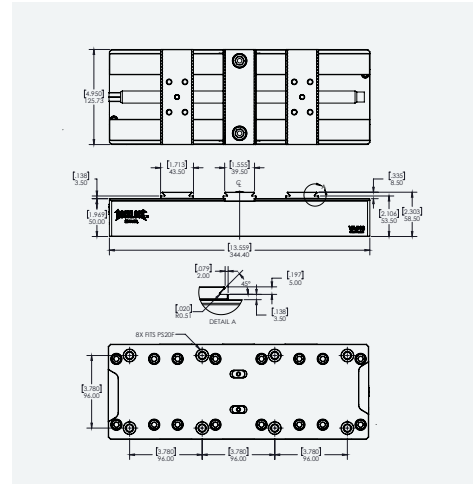
LITEVISE VA513

799,00 EUR



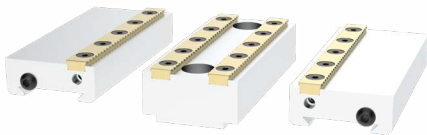
Size: 344mm x 125mm x 50mm
(13" x 5" x 2")
Jaw Width: 125mm (5")
Clamping Force: 22.2 kn @ 61 Nm
(5000lbs)
Max Torque: 61 Nm
**Clamping Range - Lower Gripper
Jaws:** .5mm - 1000mm
(Double Station)
**Clamping Range - Master Tall
Gripper Jaws:** .9,53mm - 127mm
(Double Station)
Weight: 9,1 kg

Are you ready to elevate your CNC machining operations with unparalleled precision and efficiency? Meet LiteVise, the game-changing lightweight vise designed to optimize your workflow and deliver exceptional results.

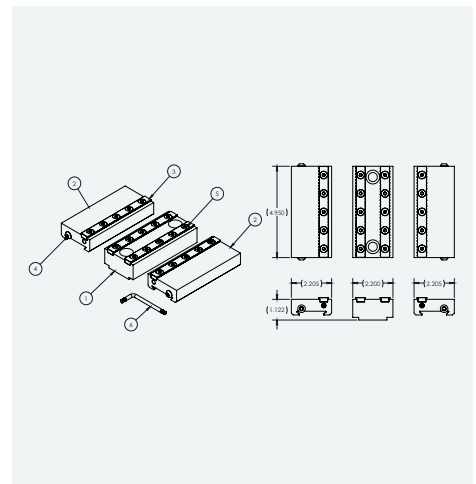


VA513-GJ-A Master Gripper Jaws Set

250,00 EUR



Crafted from billet aluminum, these machinable jaws are built to withstand the rigors of daily use in a variety of industrial and manufacturing environments. Their robust construction ensures a long lifespan, providing you with reliable performance and reduced maintenance costs over time. The gripper strips are built from hardened steel and TiN coated for longevity.

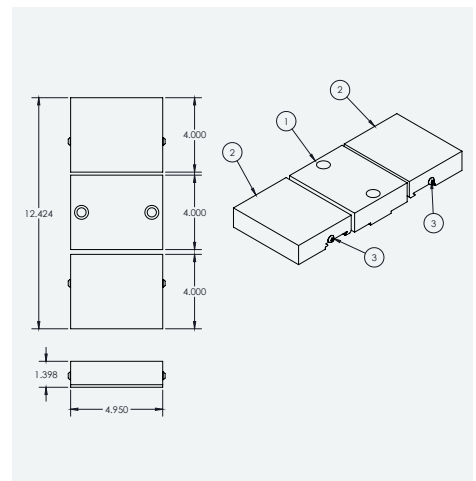


VA513-MJ-A Aluminum Soft Jaws Set

150,00 EUR



Crafted from billet aluminum, these machinable jaws are built to withstand the rigors of daily use in a variety of industrial and manufacturing environments. Their robust construction ensures a long lifespan, providing you with reliable performance and reduced maintenance costs over time. The gripper strips are built from hardened steel and TiN coated for longevity.



Self-Centering

Double Station Pin Vises

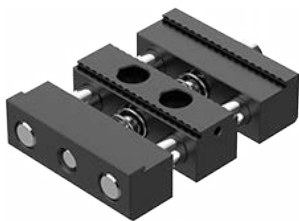
Part Number	PV3X-4A	PV3X-4B
	 299,00 EUR	 299,00 EUR
Size	75mm x 111.6mm x 25mm [2.95" x 4.39" x 0.98"]	75mm x 111.6mm x 25mm [2.95" x 4.39" x 0.98"]
Jaw Width	75mm [2.95"]	75mm [2.95"]
Clamping Range	19.05mm - 38.10 mm [0.75" - 1.50"]	6.35mm - 25.40mm [0.25" - 1.00"]

Part Number	PV3X-6A	PV3X-6B
	 319,00 EUR	 319,00 EUR
Size	75mm x 161.6mm x 25mm [2.95" x 6.36" x 0.98"]	75mm x 161.6mm x 25mm [2.95" x 6.36" x 0.98"]
Jaw Width	75mm [2.95"]	75mm [2.95"]
Clamping Ranges Based on Bolt Size*	150: 44.45mm - 63.50mm [1.75" - 2.50"]	150: 31.75mm - 50.80mm [1.25" - 2.00"]
	130: 31.75mm - 50.80mm [1.25" - 2.00"]	130: 19.05mm - 38.10mm [0.75" - 1.50"]
	100: 19.05mm - 38.10mm [0.75" - 1.50"]	100: 6.35mm - 25.40mm [0.25" - 1.00"]

*PVX3-6A & PVX3-6B pin vises come with three different bolt lengths to provide different clamping range options.

PV3X-4

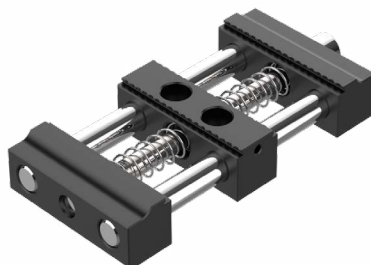
299,00 EUR



The PV3X-4 is a 4" pin vise that offers a low-cost, low profile solution ideal for 3 axis, horizontal, and lights out manufacturing.

PV3X-6

319,00 EUR



The PV3X-6A & 6B are 6" pin vises that come with three sets of bolts with different lengths to provide three clamping range options.

PMV3XS

219,00 EUR



The PMV3XS is a 1018 steel machinable jaw version of the PV3X-6 pin vises.

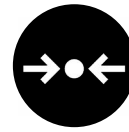
Double Station Pin Vises



Cost-Effective



Lightweight

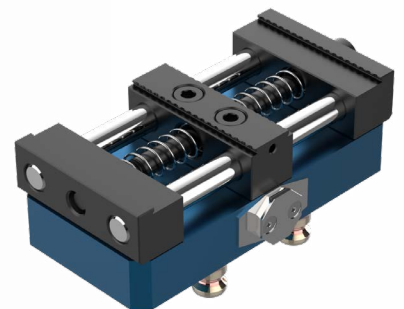
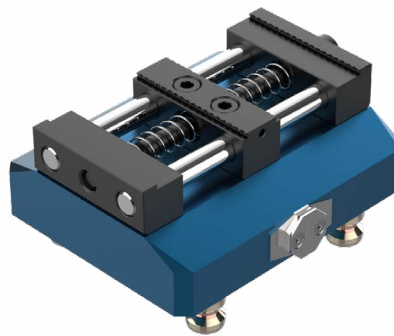
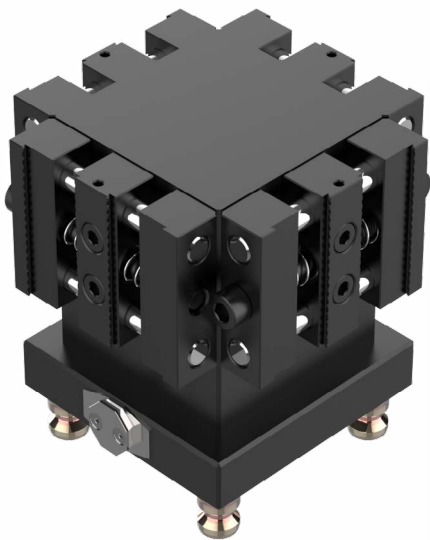
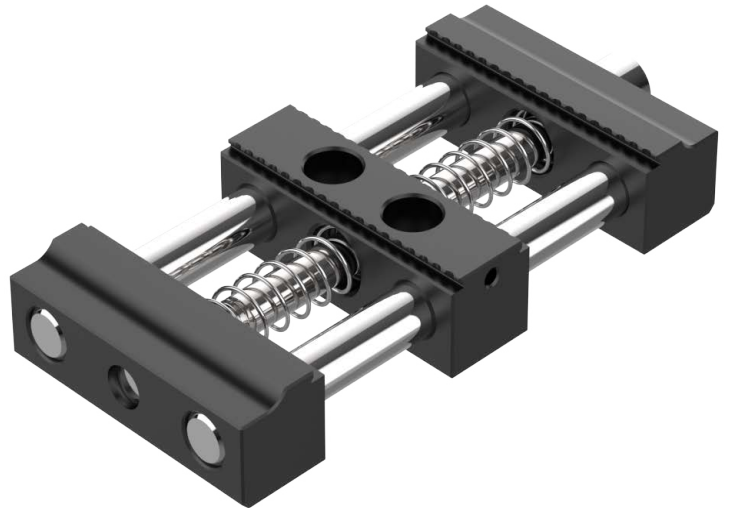


Compact Design

High-precision, quality vises in a skeleton design that makes them lighter, more compact, and cost-effective.

Ideal for high volume part production, Pin Vises have a small footprint, allowing more parts on a table for higher productivity. Pin Vises are also lightweight for automated applications where weight is a consideration.

Pin Vise tombstones, pyramids, and plates are configured with 96mm RockLock quick-change systems.



High volume applications

Hardened steel

Available in 4" & 6" models

Extreme low-profile design

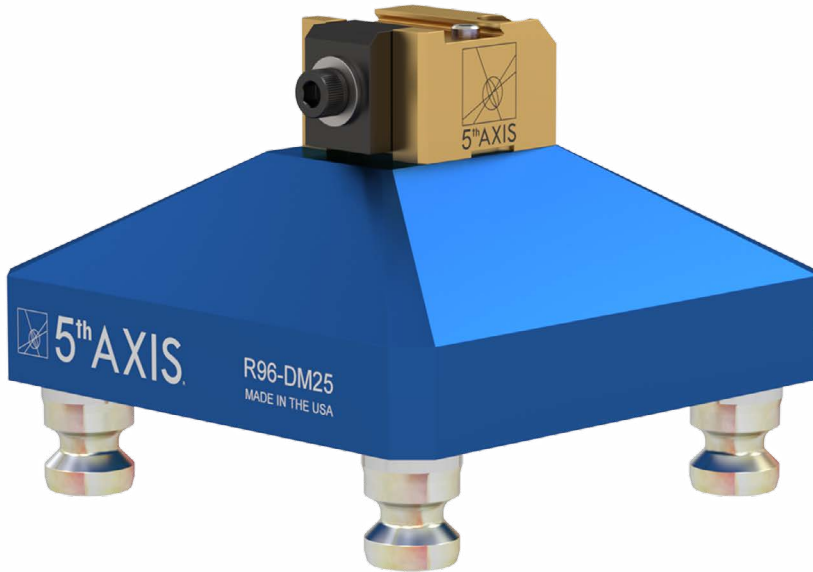
Clamping range:
6,35mm - 63,50mm

Serrated gripper teeth
and integrated 45° dovetail

Please check our catalogue for more products and detailed information.



Dovetail Fixtures



45° dovetail for increased clamping force



Locating pins for precise repeatability






Low profile design



Hardened steel clamp and body

Dovetail Fixtures

Part Number	DM12	DM25	DM50
			
Size	21mm x 32mm x 19mm	37mm x 41mm x 27mm	50mm x 50mm x 38mm
Stock Size	12mm - 25mm	25mm - 75mm	50mm and Above
Dovetail Depth	2.54mm	2.54mm	5.08mm

Dovetail Fixtures

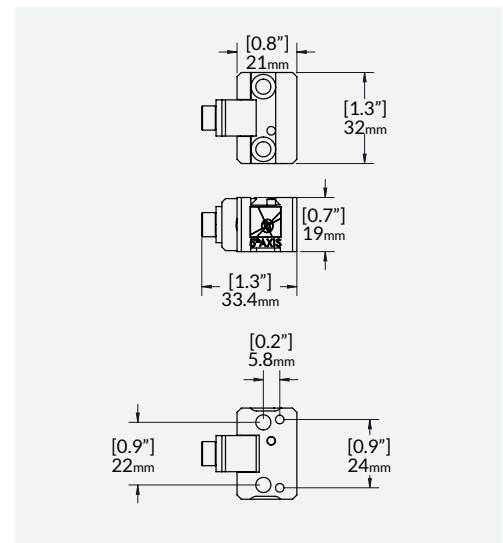
DM12 Metric

249,00 EUR



Size: 21mm x 32mm x 19mm
Material: 4100 Series Steel
Stock Size: 12mm - 25mm
Dovetail Depth Required: 2.54mm

The DM12 is the smallest dovetail fixture in the 5th Axis workholding line. The DM12 features a wedge style clamp for superior gripping force and a low profile design that optimizes tool clearance. This micro dovetail fixture is the perfect choice for multi-axis work on smaller parts.



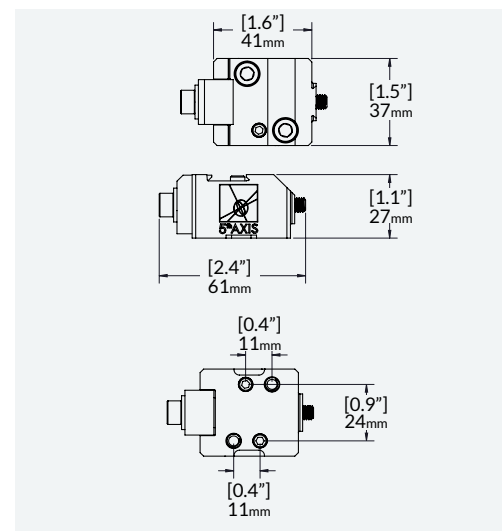
DM25 Metric

339,00 EUR



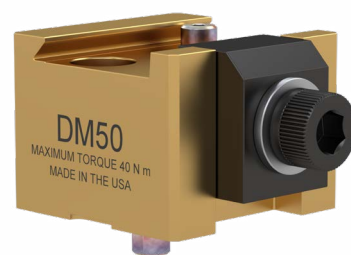
Size: 37mm x 41mm x 27mm
Material: 4100 Series Steel
Stock Size: 25mm - 75mm
Dovetail Depth Required: 2.54mm

The DM25 is the most versatile dovetail fixture in the 5th Axis workholding line. It is a simple and robust dovetail fixture built for stock under 75mm. The DM25 features a robust clamp for superior gripping force and a low profile design that optimizes tool clearance. This dovetail fixture is the perfect choice for multi-axis work on small to medium sized parts.



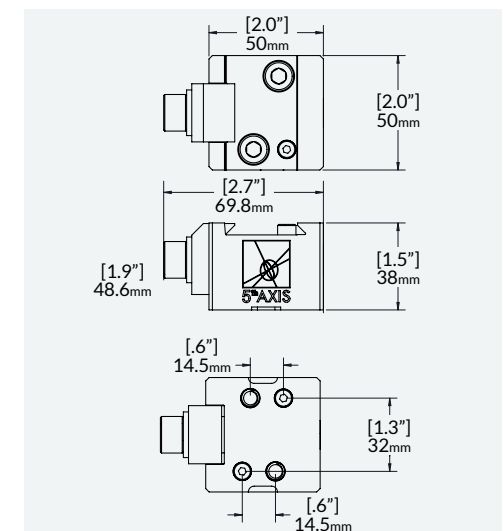
DM50 Metric

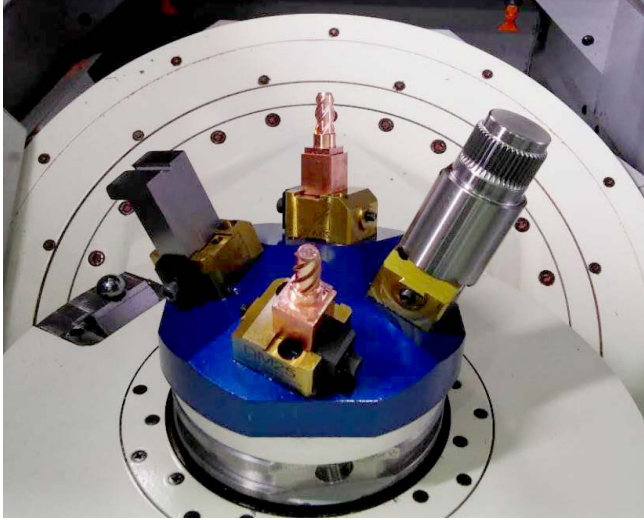
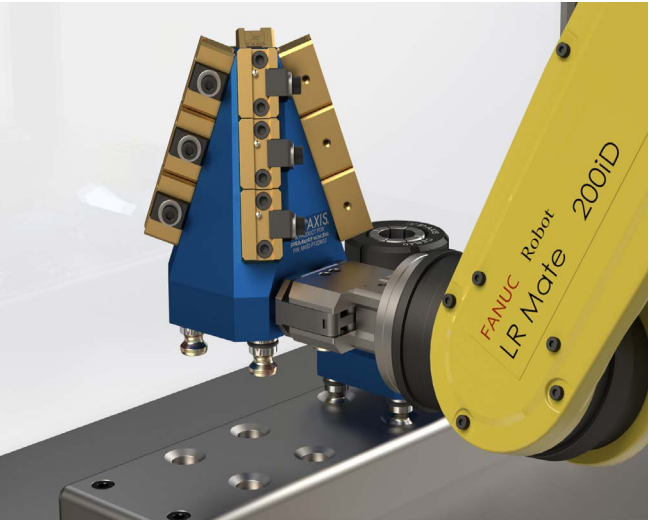
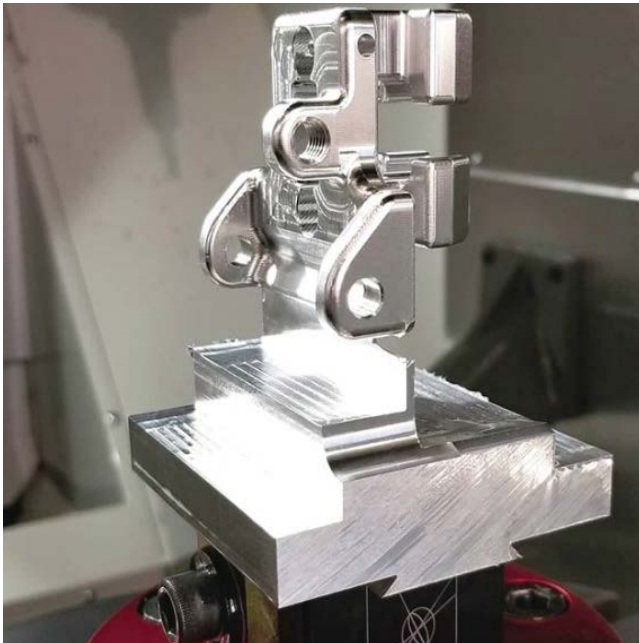
399,00 EUR



Size: 50mm x 50mm x 38mm
Material: 4100 Series Steel
Stock Size: 50mm+
Dovetail Depth Required: 5.08mm

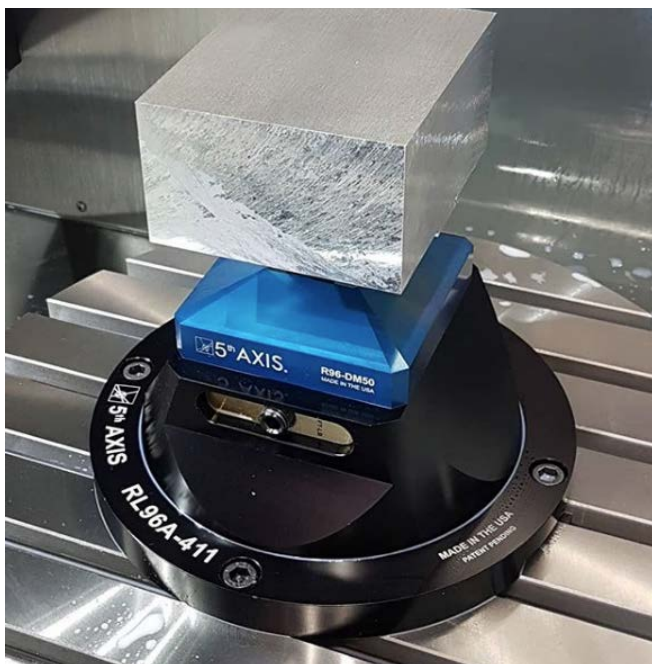
The DM50 is a simple and robust dovetail fixture built for stock 50mm and above. It features a wedge style clamp for superior gripping force, and a low profile design that optimizes tool clearance.





Real workholding applications provided by customers

Dovetail Fixtures Examples



Real workholding applications provided by customers

R52-P12DM12

4.147,00 EUR



Metric

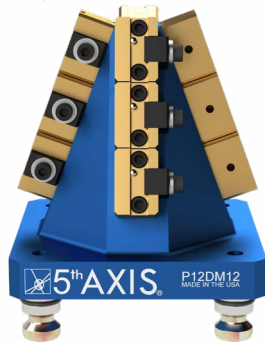
Spacing: 125.73mm x 125.73mm x 133.5mm

Material Construction: 6061 Aluminum

Built for our 52mm RockLock Quick Change System, the R52-P12DM12 provides maximum amount of flexibility. This 4-sided pyramid utilizes twelve DM12 dovetail fixtures for stock under 25mm. The orientation of the fixtures on the pyramid ensures optimal tool clearance for multiple parts. Machine up to 12 parts on this compact unit. The modular design allows for fixtures to be added or removed depending on the length of the workpiece.

R96-P12DM12

4.167,00 EUR



Metric

Spacing: 125.73mm x 125.73mm x 133.5mm

Material Construction: 6061 Aluminum

Built for our 96mm RockLock Quick Change System, the R96-P12DM12 provides maximum amount of flexibility. This 4 sided pyramid utilizes twelve DM12 dovetail fixtures for stock under 25mm. The orientation of the fixtures on the pyramid ensures optimal tool clearance for multiple parts. Machine up to 12 parts on this compact unit. The modular design allows for fixtures to be added or removed depending on the length of the workpiece.

R52-P4DM25

1.945,00 EUR



Metric

Spacing: Ø152.4mm x 64.9mm

Material Construction: 6061 Aluminum

This compact pyramid utilizes 4 DM25 dovetail fixtures. The small foot print ensures no space is wasted allowing simultaneous machining of four parts. Run more parts per cycle and minimize pallet and tool changes. This versatile fixture can be mounted on trunnions, pallets, and machine tables using our 52mm RockLock Quick Change System.

R96-P4DM25

1.955,00 EUR



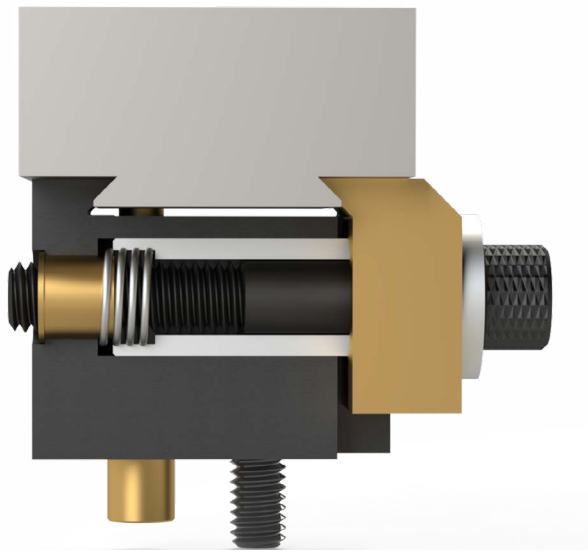
Metric

Spacing: Ø152.4mm x 64.9mm

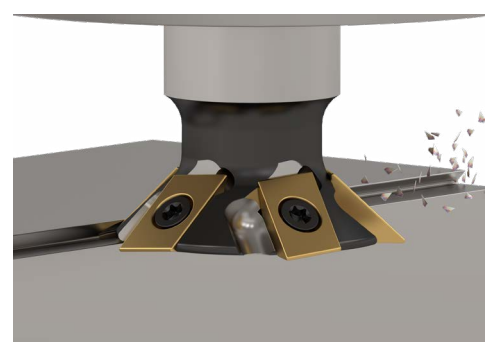
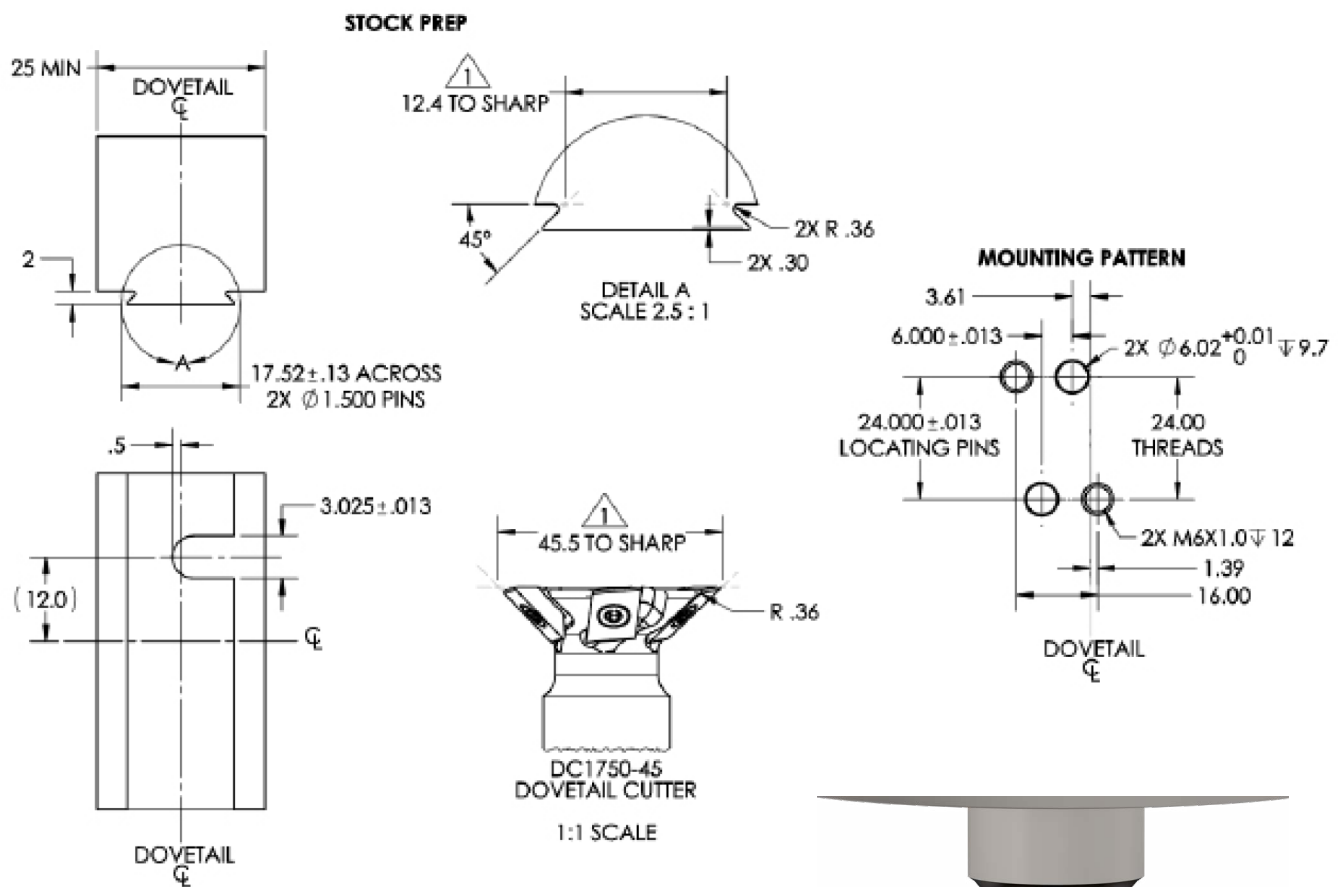
Material Construction: 6061 Aluminum

This compact pyramid utilizes 4 DM25 dovetail fixtures. The small foot print ensures no space is wasted allowing simultaneous machining of four parts. Run more parts per cycle and minimize pallet and tool changes. This versatile fixture can be mounted on trunnions, pallets, and machine tables using our 96mm RockLock Quick Change System.

Dovetail Fixtures



Sample Dovetail Stock Prep (DM25)



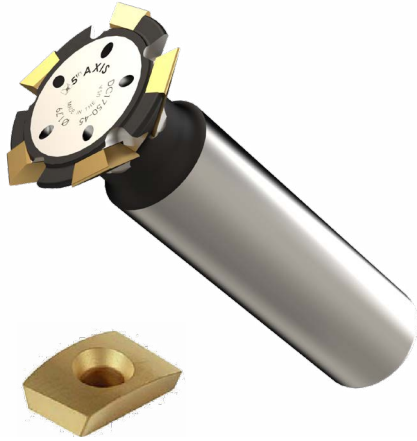
CERX-40 & CERX-32



The CERX-40 and CERX-32 are quick and efficient fixtures for holding round stock. The collets utilize your existing set of standard ER40 and ER32 collets allowing you to clamp different diameters of stock. The bodies are manufactured from hardened alloy steel to exacting standards.

Part Number	R52-CERX-40	R96-CERX-40
	 872,00 EUR	 972,00 EUR
Size	75mm X 75mm x 68mm	126mm x 126mm x 81mm
Mounting	Includes PS16F	Includes PS20F
Stock Size	ER40 Collet	ER40 Collet

Part Number	R52-CERX-32	R96-CERX-32
	 872,00 EUR	 972,00 EUR
Size	75mm X 75mm x 68mm	126mm x 126mm x 81mm
Mounting	Includes PS16F	Includes PS20F
Stock Size	ER32 Collet	ER32 Collet



Dovetail Cutters

DC1750-I

45° Indexable Dovetail Cutter, 1" shank
All of our fixtures feature 45° dovetail.

440,00 EUR

DC1750-M

45° Indexable Dovetail Cutter, 25mm shank
All of our fixtures feature 45° dovetail.

440,00 EUR

DC1750-B

Inserts for Dovetail Cutter
Compatible with all 5th Axis dovetail cutters.

21,00 EUR



Thumb Screws

Replacement Thumbscrews:

TS10 - Used on V75100X, V75150X, DV75150X = **38,85 EUR**

TS13 - Used on DV56, DV510, V552M, V562M, and V510M = **38,85 EUR**

TS17 - Used on V6105M = **44,10 EUR**

Thumb screws are included with every vise. Fits standard 3/8" drives.

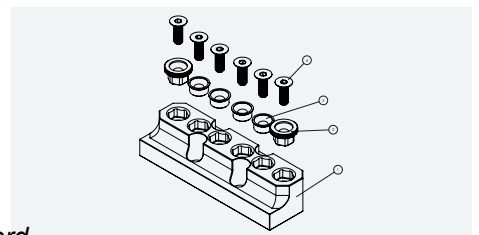


V562X-5RG

Round Stock Gripper Jaw
(Compatible with V562X & V510X)

229,00 EUR

126mm wide, X-Series compatible hard jaws to support round raw stock



*Inserts sold separately.

CAD models available for download at 5thaxis.com/downloads or kemmler-shop.de



Machinable 6061 Aluminum Jaws

METRIC

VAJ75X - 75mm x 45mm x 25mm
(Compatible with V75100 / V75100X)

21,00 EUR

VAJ52X - 125.73 mm x 62.23 mm x 34.29 mm
(Compatible with V562X / V510X)

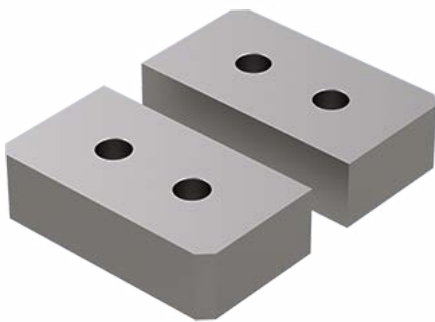
89,00 EUR

VAJ52M - 125mm x 50mm x 34mm
(Compatible with V552M / V562M / V510M)

89,00 EUR

VAJ610M - 151mm x 78mm x 47mm
(Compatible with V6105M)

119,00 EUR



Machinable 1018 Steel Jaws

METRIC

VSJ75X - 75mm x 45mm x 25mm
(Compatible with V75100 / V75100X)

99,00 EUR

VSJ52M - 125mm x 50mm x 34mm
(Compatible with V552M / V562M / V510M)

139,00 EUR

VSJ610M - 151mm x 78mm x 47mm
(Compatible with V6105M)

159,00 EUR



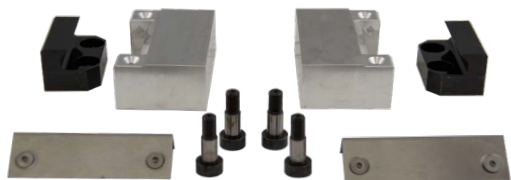
DJ6 Gripper Jaws

DJ6 - Compatible with standard 6" Kurt Vise.

229,00 EUR

The DJ6 gripper jaws with built-in 45° dovetails are the perfect accessory for your 6" machine vise. Jaws are heat treated and precision ground for superior repeatability and longevity. The jaws are 55 HRC, TiN coated and feature a 25mm step depth.

Anti-Lift Jaws



AL75A - Anti-Lift Aluminum Machinable Jaws, Starter Set. Includes steel cleats, aluminum machinable jaws, and brackets.

(Compatible with V75100, V75100X, V75150X)

279,00 EUR

AL75-2A - Set of 2, Replacement Anti-Lift Machinable Aluminum Jaws.

(Compatible with V75100, V75100X, V75150X)

129,00 EUR



AL75S - Anti-Lift Steel Machinable Jaws, Starter Set.

Includes steel cleats, steel machinable jaws, and brackets.

(Compatible with V75100, V75100X, V75150X)

349,00 EUR

AL75-2S - Set of 2, Replacement Anti-Lift Machinable Jaws, Steel.

(Compatible with V75100, V75100X, V75150X)

209,00 EUR

AL52A - Anti-Lift Aluminum Machinable Jaws, Starter Set. Includes steel cleats, aluminum machinable jaws, and brackets.

(Compatible with V552 / V562 / V552M / V562M / V510M)

299,00 EUR

AL52-2A - Set of 2, Replacement Anti-Lift Machinable Aluminum Jaws.

(Compatible with V552 / V562 / V552M / V562M / V510M)

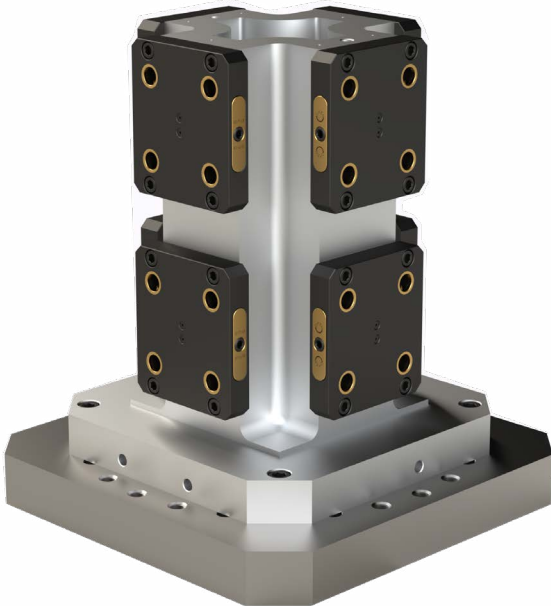
179,00 EUR

AL52-2S - Set of 2, Replacement Anti-Lift Machinable Jaws, Steel.

(Compatible with V552 / V562 / V552M / V562M / V510M)

259,00 EUR

Our Anti-Lift Jaws use a cleat and angled soft jaw to pull the jaw in and down when torque is applied to the lead screw. This design decreases jaw lift and jaw deflection commonly seen in self-centering vises.



400mm Tombstone configuration

Part number shown: RL96S -67M

Built for standard tombstone and grid plates.
Bolt spacing at 100mm.



500mm Tombstone configuration

Part number shown: RL96S -67M

Built for standard tombstone and grid plates.
Bolt spacing at 100mm.



R96-V75XT4 Tombstone configuration

Part number shown: R96-V75XT4 with 4X DV75150X

200mm tall mini tombstone designed to work with smaller 4 and 5 Axis machines.



R96-V75100T4 Tombstone configuration

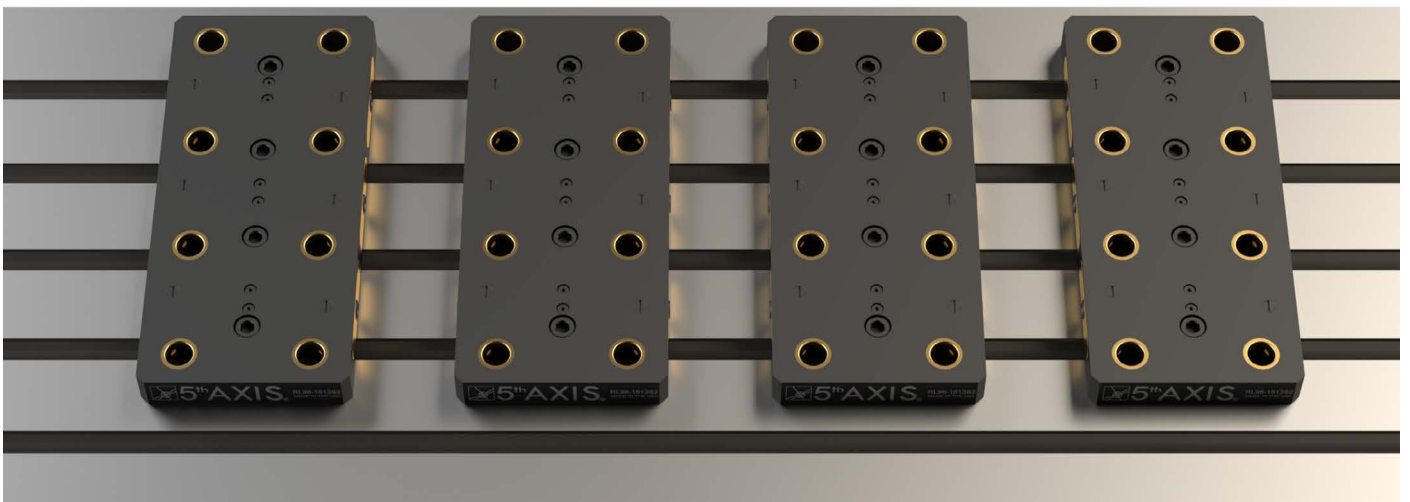
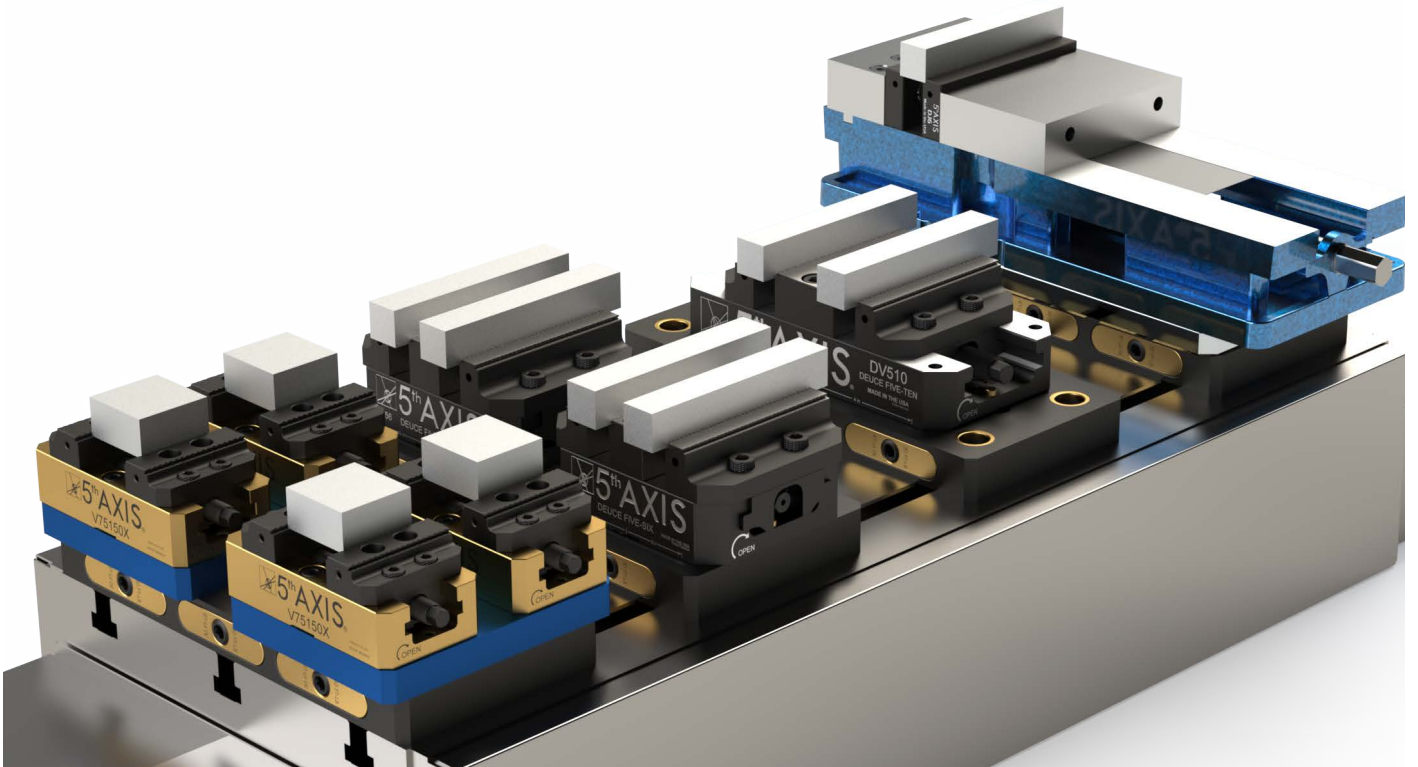
Part number shown: R96-V75100T4 with 8X V75100X

266mm tall mini tombstone designed to work with smaller 4 and 5 Axis machines.

BUILT FOR 3 AXIS

Simplify Programming

Reduce Changeover Time



Prices valid till 30. June 2025

Ihr Fachhändler - Your specialist dealer - Votre spécialiste

Net prices per piece ex works, plus VAT at the statutory rate.

Misprints, errors and changes excepted.
Document number 24-4585823V5.1- Printed in Germany, 2024

 **5thAXIS**[®]
Workholding Evolved.



Made in USA







7140 Engineer Rd.
San Diego, CA 92111

workholding@5thaxis.com
www.5thaxis.com

 **KEMMLER**[®]
Präzisionswerkzeuge

Werden Sie Teil der KEMMLER-Community.
Become a part of the KEMMLER community.
Devenez un membre de la communauté KEMMLER.

 linkedin.com/company/kemmler-tools
 instagram.com/kemmlertools
 youtube.com/KemmlerToolsD
 facebook.com/kemmler

KEMMLER Präzisionswerkzeuge GmbH
Lange Str. 101
72116 Mössingen, Germany
Telefon +49 7473 92408-0
info@kemmler-tools.de
www.kemmler-tools.de