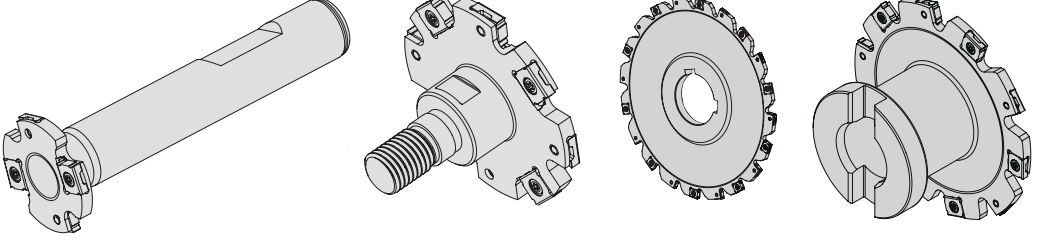


Kanal frezeleme

Slotting cutters

www.boehlerit.com.tr

Kanal frezeleme Slotting cutters	
Uygulama Execution	
Freze çapları Diameter range metric	Ø 32 - 160 mm
Uç ölçüsü Insert size	LNET..07

Teknik Özellikler:

- İşleme çapına ve genişliğine göre kullanılabilen farklı kanal uçları
- 4 kesme kenarına sahip ekonomik ve hassas LNET uçlar
- Taşlanmış uçlar ile daha hassas frezeleme
- Pozitif talaş açısı ile düzgün kesim
- Rijit bağlama sistemi ile güvenli çalışma
- Özel uç oturma yuvası sayesinde güçlü takımlar
- Darbeli uygulamalar için yumuşak uç alt yapısı
- Standart kanal genişliği 3 - 4 - 4,5 - 5 - 5,5 - 6 - 6,5 - 7 - 7,5

Special features:

- Different insert thickness depending on machining diameter and width
- Economical and precision 4 cutting edge insert LNET
- High accuracy precision grounded inserts
- Smooth machining with high positive rake angle
- Rigid clamping system for high stability
- Strong cutter body design due to spacial insert pocket
- Tough insert grades for interrupting cutting
- Standart slot width 3 - 4 - 4,5 - 5 - 5,5 - 6 - 6,5 - 7 - 7,5

Malzeme Material	LNET..07	
	Kalite Grade	İlerleme, Feed, [mm] f _t
P	BTCM35M	0,05 0,12 0,20
M	BTCM35M	0,04 0,08 0,15
K	BTCK25M	0,10 0,15 0,20
N	BTCK25M	0,15 0,25 0,35

Kesme değerleri için sayfa 22-23 bakınız
Cutting data recommendations page

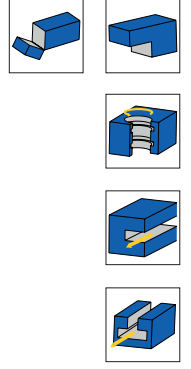
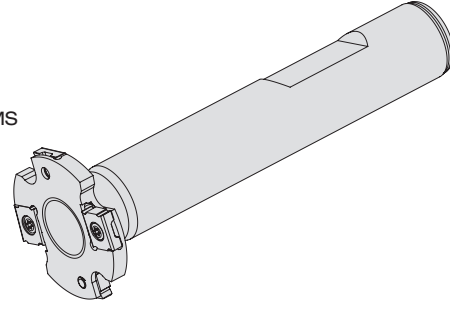
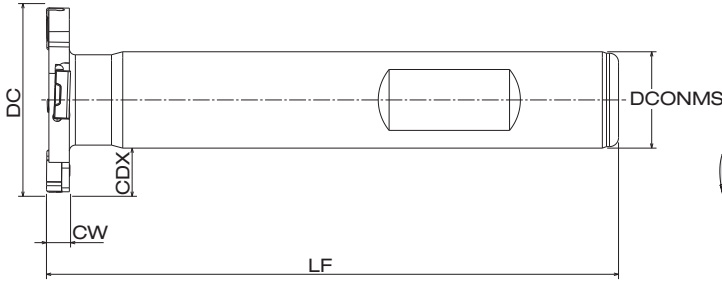
* Kesme değerleri referans alınmalı, ancak uygulamada ayrıca deneme yapılmalıdır.

* Recommended cutting data has to be seen as a reference which can be optimised for each application through trials separately.

Weldon kanal frezeler

Weldon type slotting cutters

boehlerit



Ölçüler [mm] Dimensions [mm]								Ürün kodu Item code	Uç tipi Insert type	Stok durumu Availability	Yedek parça Spare parts					
DC	CW	CDX	ZEPF	CICT	DCONMS	SHANK	LF									
32	3	8,0	2	4	16	W	90	BTDS-032-03-LN07-W16	LNET 071804	o	Sıkma civatası Fixation screw BTAP 25035-3560	Tork anahtarı Torque wrench T06 T06 L				
40	3	12,0	3	6	16	W	105	BTDS-040-03-LN07-W16		o						
50	3	15,0	4	8	20	W	110	BTDS-050-03-LN07-W20		o						
63	3	21,5	5	10	20	W	110	BTDS-063-03-LN07-W20		o						
32	4	8,0	2	4	16	W	90	BTDS-032-04-LN07-W16	LNET 072504	o			Sıkma civatası Fixation screw BTAP 25035-3560	Tork anahtarı Torque wrench T06 T06 L		
32	4,5	8,0	2	4	16	W	90	BTDS-032-045-LN07-W16		o						
40	4	12,0	3	6	16	W	105	BTDS-040-04-LN07-W16		o						
40	4,5	12,0	3	6	16	W	105	BTDS-040-045-LN07-W16		o						
50	4	15,0	4	8	20	W	110	BTDS-050-04-LN07-W20		o						
50	4,5	15,0	4	8	20	W	110	BTDS-050-045-LN07-W20		o						
63	4	21,5	5	10	20	W	110	BTDS-063-04-LN07-W20		o						
63	4,5	21,5	5	10	20	W	110	BTDS-063-045-LN07-W20		o						
32	5	8,0	2	4	16	W	90	BTDS-032-05-LN07-W16	LNET 073004	o					Sıkma civatası Fixation screw BTAP 25035-3560	Tork anahtarı Torque wrench T06 T06 L
32	5,5	8,0	2	4	16	W	90	BTDS-032-055-LN07-W16		o						
40	5	12,0	3	6	16	W	105	BTDS-040-05-LN07-W16		o						
40	5,5	12,0	3	6	16	W	105	BTDS-040-055-LN07-W16		o						
50	5	15,0	4	8	20	W	110	BTDS-050-05-LN07-W20		o						
50	5,5	15,0	4	8	20	W	110	BTDS-050-055-LN07-W20		o						
63	5	21,5	5	10	20	W	110	BTDS-063-05-LN07-W20		o						
63	5,5	21,5	5	10	20	W	110	BTDS-063-055-LN07-W20		o						
32	6	8,0	2	4	16	W	90	BTDS-032-06-LN07-W16	LNET 073504	o	Sıkma civatası Fixation screw BTAP 25035-3560	Tork anahtarı Torque wrench T06 T06 L				
32	6,5	8,0	2	4	16	W	90	BTDS-032-065-LN07-W16		o						
40	6	12,0	3	6	16	W	105	BTDS-040-06-LN07-W16		o						
40	6,5	12,0	3	6	16	W	105	BTDS-040-065-LN07-W16		o						
50	6	15,0	4	8	20	W	110	BTDS-050-06-LN07-W20		o						
50	6,5	15,0	4	8	20	W	110	BTDS-050-065-LN07-W20		o						
63	6	21,5	5	10	20	W	110	BTDS-063-06-LN07-W20		o						
63	6,5	21,5	5	10	20	W	110	BTDS-063-065-LN07-W20		o						
32	7	8,0	2	4	16	W	90	BTDS-032-07-LN07-W16	LNET 074004	o			Sıkma civatası Fixation screw BTAP 25035-3560	Tork anahtarı Torque wrench T06 T06 L		
32	7,5	8,0	2	4	16	W	90	BTDS-032-075-LN07-W16		o						
40	7	12,0	3	6	16	W	105	BTDS-040-07-LN07-W16		o						
40	7,5	12,0	3	6	16	W	105	BTDS-040-075-LN07-W16		o						
50	7	15,0	4	8	20	W	110	BTDS-050-07-LN07-W20		o						
50	7,5	15,0	4	8	20	W	110	BTDS-050-075-LN07-W20		o						
63	7	21,5	5	10	20	W	110	BTDS-063-07-LN07-W20		o						
63	7,5	21,5	5	10	20	W	110	BTDS-063-075-LN07-W20		o						

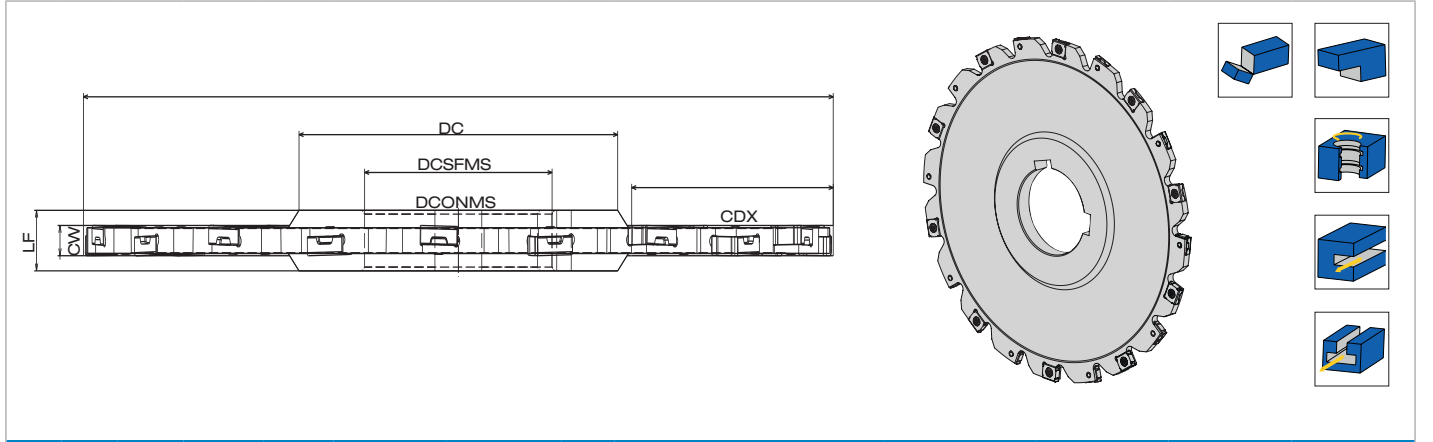
Sipariş örneği Order example: 1 Adet Pieces BTDS-063-075-LN07-W20



● Stoktan teslim Available from stock
○ İstek üzerine On request

Disk kanal frezeler

Disc type slotting cutters

www.boehlerit.com.tr

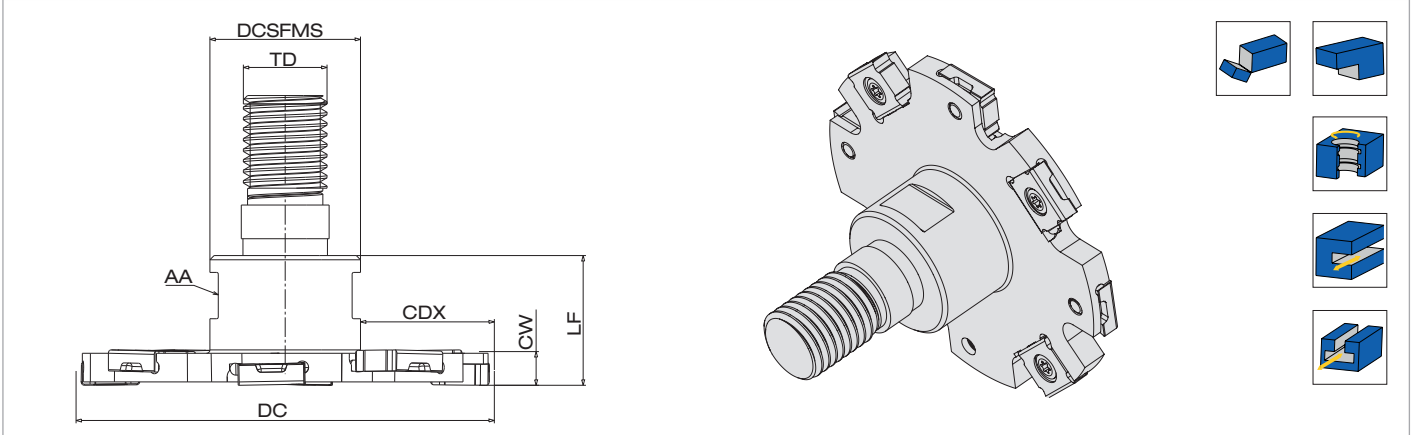



Ölçüler [mm] Dimensions [mm]								Ürün kodu Item code	Uç tipi Insert type	Stok durumu Availability	Yedek parça Spare parts	
DC	CW	CDX	ZEFP	CICT	DCSFMS	DCONMS	LF					
63	3	15	4	8	32	22	6	BTDS-063-03-LN07-22	LNET 071804	○	 Sıkma civatası Fixation screw BTAP 25035-3560	 Tork anahtarı Torque wrench T06 T06 L
100	3	27	6	12	42	27	8	BTDS-100-03-LN07-27		○		
125	3	37	8	16	48	32	8	BTDS-125-03-LN07-32		○		
63	4	15	4	8	32	22	6	BTDS-063-04-LN07-22	LNET 072504	○	Sıkma civatası Fixation screw BTAP 25035-3560	Tork anahtarı Torque wrench T06 T06 L
63	4,5	15	4	8	32	22	6	BTDS-063-045-LN07-22		○		
80	4	22	5	10	34	22	6	BTDS-080-04-LN07-22		○		
80	4,5	22	5	10	34	22	6	BTDS-080-045-LN07-22		○		
100	4	27	6	12	42	27	8	BTDS-100-04-LN07-27		○		
100	4,5	27	6	12	42	27	8	BTDS-100-045-LN07-27		○		
125	4	36	8	16	48	32	8	BTDS-125-04-LN07-32		○		
125	4,5	36	8	16	48	32	8	BTDS-125-045-LN07-32		○		
160	4	49	10	20	56	40	10	BTDS-160-04-LN07-40		○		
160	4,5	49	10	20	56	40	10	BTDS-160-045-LN07-40		○		
63	5	15	4	8	32	22	8	BTDS-063-05-LN07-22	LNET 073004	○		
63	5,5	15	4	8	32	22	8	BTDS-063-055-LN07-22		○		
80	5	22	5	10	34	22	8	BTDS-080-05-LN07-22		○		
80	5,5	22	5	10	34	22	8	BTDS-080-055-LN07-22		○		
100	5	27	6	12	42	27	10	BTDS-100-05-LN07-27		○		
100	5,5	27	6	12	42	27	10	BTDS-100-055-LN07-27		○		
125	5	37	8	16	48	32	10	BTDS-125-05-LN07-32		○		
125	5,5	37	8	16	48	32	10	BTDS-125-055-LN07-32		○		
63	6	15	4	8	32	22	8	BTDS-063-06-LN07-22	LNET 073504	○		
63	6,5	15	4	8	32	22	8	BTDS-063-065-LN07-22		○		
80	6	22	5	10	34	22	8	BTDS-080-06-LN07-22		○		
80	6,5	22	5	10	34	22	8	BTDS-080-065-LN07-22		○		
63	7	15	4	8	32	22	8	BTDS-063-07-LN07-22	LNET 074004	○		
63	7,5	15	4	8	32	22	8	BTDS-063-075-LN07-22		○		
80	7	22	5	10	34	22	8	BTDS-080-07-LN07-22		○		
80	7,5	22	5	10	34	22	8	BTDS-080-075-LN07-22		○		

Vidalı disk kanal frezeler

Screw type slotting cutters

boehlerit



Ölçüler [mm] Dimensions [mm]										Ürün kodu Item code	Uç tipi Insert type	Stok Availability	Yedek parça Spare parts
DC	CW	CDX	ZAFP	CICT	DCONMS	TD	LF	A-A	OAL				
32	3	10,5	2	4	13	M08	13	10	31	BTDS-032-03-LN07-M08	LNET 0718	○	
40	3	13,0	3	6	13	M08	23	10	31	BTDS-040-03-LN07-M08		○	
50	3	15,5	4	8	18	M10	28	16	33	BTDS-050-03-LN07-M10		○	
63	3	22,0	5	10	18	M10	35	16	33	BTDS-063-03-LN07-M10		○	
32	4	10,5	2	4	13	M08	13	10	31	BTDS-032-04-LN07-M08	LNET 0725	○	Sıkma civatası Fixation screw BTAP 25035-3560
32	4,5	10,5	2	4	13	M08	13	10	31	BTDS-032-045-LN07-M08		○	
40	4	13,0	3	6	13	M08	23	10	31	BTDS-040-04-LN07-M08		○	
40	4,5	13,0	3	6	13	M08	23	10	31	BTDS-040-045-LN07-M08		○	
50	4	15,5	4	8	18	M10	28	16	33	BTDS-050-04-LN07-M10		○	
50	4,5	15,5	4	8	18	M10	28	16	33	BTDS-050-045-LN07-M10		○	
63	4	22,0	5	10	18	M10	35	16	33	BTDS-063-04-LN07-M10		○	
63	4,5	22,0	5	10	18	M10	35	16	33	BTDS-063-045-LN07-M10		○	
32	5	7,0	2	4	18	M10	13	16	33	BTDS-032-05-LN07-M10	LNET 0730	○	Tork anahtarı Torque wrench T06 T06 L
32	5,5	7,0	2	4	18	M10	13	16	33	BTDS-032-055-LN07-M10		○	
40	5	11,0	3	6	18	M10	23	16	33	BTDS-040-05-LN07-M10		○	
40	5,5	11,0	3	6	18	M10	23	16	33	BTDS-040-055-LN07-M10		○	
50	5	14,5	4	8	21	M12	28	17	35	BTDS-050-05-LN07-M12		○	
50	5,5	14,5	4	8	21	M12	28	17	35	BTDS-050-055-LN07-M12		○	
63	5	21,0	5	10	21	M12	35	17	35	BTDS-063-05-LN07-M12		○	
63	5,5	21,0	5	10	21	M12	35	17	35	BTDS-063-055-LN07-M12		○	
32	6	7,0	2	4	18	M10	13	10	33	BTDS-032-06-LN07-M10	LNET 0735	○	
32	6,5	7,0	2	4	18	M10	13	10	33	BTDS-032-065-LN07-M10		○	
40	6	11,0	3	6	18	M10	23	10	33	BTDS-040-06-LN07-M10		○	
40	6,5	11,0	3	6	18	M10	23	10	33	BTDS-040-065-LN07-M10		○	
50	6	14,5	4	8	21	M12	28	17	35	BTDS-050-06-LN07-M12		○	
50	6,5	14,5	4	8	21	M12	28	17	35	BTDS-050-065-LN07-M12		○	
63	6	21,0	5	10	21	M12	35	17	35	BTDS-063-06-LN07-M12		○	
63	6,5	21,0	5	10	21	M12	35	17	35	BTDS-063-065-LN07-M12		○	

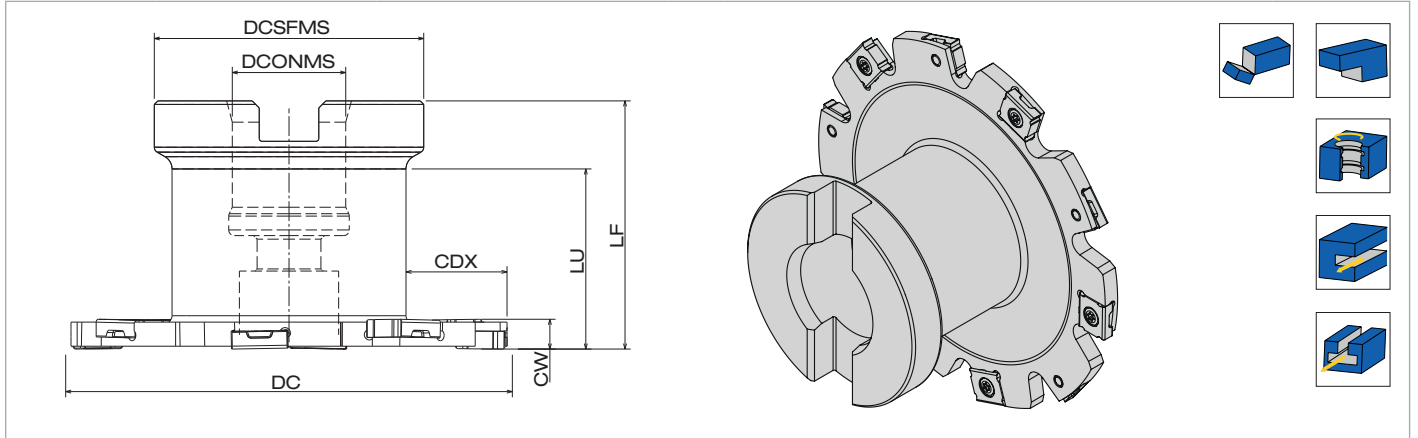
Sipariş örneği Order example: 1 Adet Pieces BTDS-063-075-LN07-W20

● Stoktan teslim Available from stock
○ İstek üzerine On request

Arborlu kanal frezeler

Arbor type slotting cutters

www.boehlerit.com.tr



Ölçüler [mm] Dimensions [mm]									Ürün kodu Item code	Uç tipi Insert type	Stok Availability	Yedek parça Spare parts
DC	CW	CDX	ZEFP	CICT	DCSFMS	DCONMS	LU	LF				
63	3	14,5	4	8	38	16	25	35	BTDS-063-03-LN07-A16	LNET 0718	o	
80	3	22,5	5	10	45	22	28	50	BTDS-080-03-LN07-A22		o	
100	3	26	6	12	55	27	28	50	BTDS-100-03-LN07-A27		o	
63	4	14,5	4	8	38	16	25	35	BTDS-063-04-LN07-A16	LNET 0725	o	Sıkma civatası Fixation screw BTAP 25035-3560
63	4,5	14,5	4	8	38	16	25	35	BTDS-063-045-LN07-A16		o	
80	4	22,5	5	10	45	22	28	50	BTDS-080-04-LN07-A22		o	
80	4,5	22,5	5	10	45	22	28	50	BTDS-080-045-LN07-A22		o	
100	4	26	6	12	55	27	28	50	BTDS-100-04-LN07-A27		o	
100	4,5	26	6	12	55	27	28	50	BTDS-100-045-LN07-A27		o	
63	5	14,5	4	8	38	16	25	35	BTDS-063-05-LN07-A16	LNET 0730	o	Tork anahtarı Torque wrench T06 T06 L
63	5,5	14,5	4	8	38	16	25	35	BTDS-063-055-LN07-A16		o	
80	5	22,5	5	10	45	22	28	50	BTDS-080-05-LN07-A22		o	
80	5,5	22,5	5	10	45	22	28	50	BTDS-080-055-LN07-A22		o	
100	5	26	6	12	55	27	28	50	BTDS-100-05-LN07-A27		o	
100	5,5	26	6	12	55	27	28	50	BTDS-100-055-LN07-A27		o	
63	6	14,5	4	8	38	16	25	35	BTDS-063-06-LN07-A16	LNET 0735	o	
63	6,5	14,5	4	8	38	16	25	35	BTDS-063-065-LN07-A16		o	
80	6	22,5	5	10	45	22	28	50	BTDS-080-06-LN07-A22		o	
80	6,5	22,5	5	10	45	22	28	50	BTDS-080-065-LN07-A22		o	
100	6	26	6	12	55	27	28	50	BTDS-100-06-LN07-A27		o	
100	6,5	26	6	12	55	27	28	50	BTDS-100-065-LN07-A27		o	
63	7	14,5	4	8	38	16	25	35	BTDS-063-07-LN07-A16	LNET 0740	o	
63	7,5	14,5	4	8	38	16	25	35	BTDS-063-075-LN07-A16		o	
80	7	22,5	5	10	45	22	28	50	BTDS-080-07-LN07-A22		o	
80	7,5	22,5	5	10	45	22	28	50	BTDS-080-075-LN07-A22		o	
100	7	26	6	12	55	27	28	50	BTDS-100-07-LN07-A27		o	
100	7,5	26	6	12	55	27	28	50	BTDS-100-075-LN07-A27		o	

Kanal freze uçları Slotting inserts

N = Ağız Sayısı N = Number of cutting edges	Ürün Kodu Item code	Kalite Cutting materials	Stok Durumu Availability	Ölçüler [mm] Dimensions [mm]				
				l	d	s	d ₁	r
	LNET 071804	BTCK35M	o	7	1,80	8	4,10	0,4
	LNET 071804	BTCK25M	o	7	1,80	8	4,10	0,4
	LNET 072504	BTCK35M	o	7	2,50	8	4,10	0,4
	LNET 072504	BTCK25M	o	7	2,50	8	4,10	0,4
	LNET 073004	BTCK35M	o	7	3,00	8	4,10	0,4
	LNET 073004	BTCK25M	o	7	3,00	8	4,10	0,4
	LNET 073504	BTCK35M	o	7	3,50	8	4,10	0,4
	LNET 073504	BTCK25M	o	7	3,50	8	4,10	0,4
	LNET 074004	BTCK35M	o	7	4,00	8	4,10	0,4
	LNET 074004	BTCK25M	o	7	4,00	8	4,10	0,4